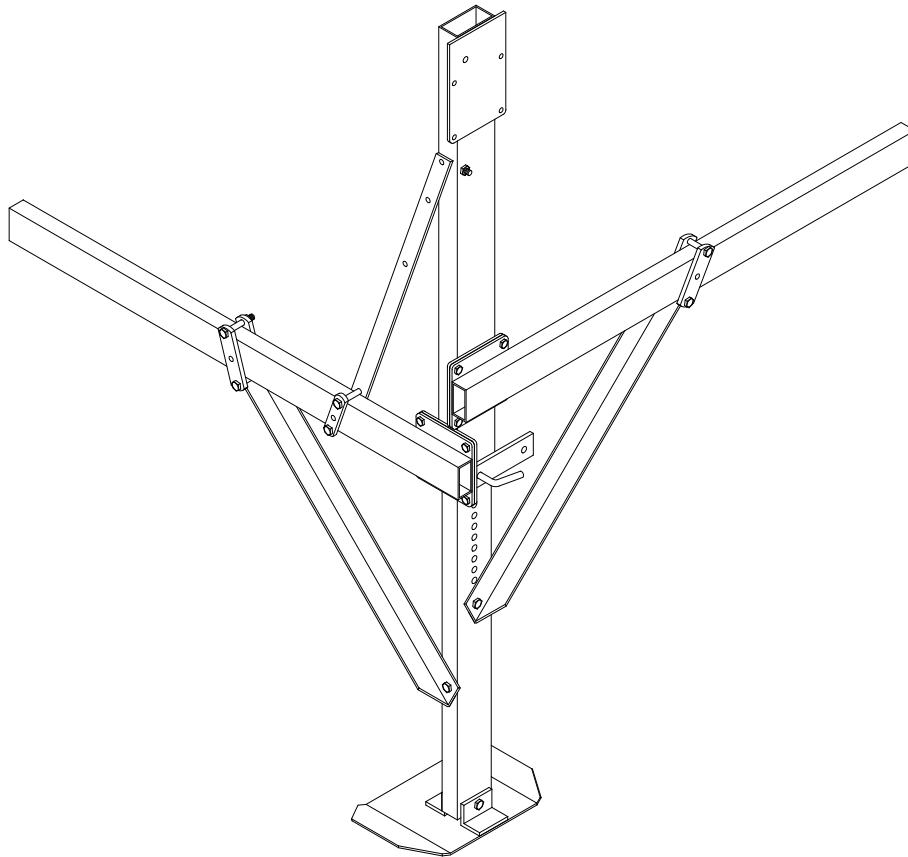




# VL EXTENSION LEG INSTRUCTIONS



**REIMANN & GEORGER CORPORATION**  
**MARINE PRODUCTS**  
P/N 6112121

**BUFFALO, NY**  
10/27/08

## TABLE OF CONTENTS

CHAPTER	TITLE	PAGE
<b>1</b>	<b>SAFETY .....</b>	<b>1</b>
1.1	Introduction .....	1
1.2	Safety Definitions.....	1
1.3	Equipment Safety Labels .....	1
1.4	Safety Rules .....	1
<b>2</b>	<b>SPECIFICATIONS.....</b>	<b>5</b>
2.1	Technical Data .....	5
<b>3</b>	<b>INSTALLATION AND SETUP.....</b>	<b>7</b>
3.1	Pre-Installation Checks .....	7
3.2	Mounting the Extension Legs .....	7
3.3	Mounting the Extension Leg Braces .....	7
3.4	Moving Lift to Operating Position .....	7
<b>4</b>	<b>PARTS LIST .....</b>	<b>11</b>
	<b>LIMITED WARRANTY</b>	

### LIST OF FIGURES

FIGURE	DESCRIPTION	PAGE
2-1	VL Extension Legs.....	5
3-1	VL Extension Leg Assembly .....	8
3-2	VL Extension Leg Assembly Complete .....	9

# 1 SAFETY

## 1.1 INTRODUCTION

Your Reimann & Georger Corporation Marine Products VL Extension Leg Kit is designed to raise your vertical lift to accommodate various water depths and variety of lake bottoms. Before assembly, read this manual, your vertical lift manual, and related equipment manuals thoroughly before installing this kit and operating your lift to provide maximum safety for all operating personnel, and to get the maximum benefit from your equipment.

## 1.2 SAFETY DEFINITIONS

A safety message alerts you to potential hazards that could hurt you or others or cause property damage. The safety messages or signal words for product safety signs are **DANGER**, **WARNING**, and **CAUTION**. Each safety message is preceded by a safety alert symbol and is defined as follows:

**DANGER:** Indicates an imminently hazardous situation which, if not avoided, **will** cause death or serious injury. This safety message is limited to the most extreme situations.

**WARNING:** Indicates a potentially hazardous situation which, if not avoided, **could** result in death or serious injury.

**CAUTION:** Indicates a potentially hazardous situation which, if not avoided, **may** result in minor or moderate injury. It may also be used to alert against unsafe practices and property-damage-only accidents.

## 1.3 EQUIPMENT SAFETY LABELS

These labels warn you of potential hazards that could cause injury. Read them carefully. If a label comes off or becomes illegible, contact a Reimann & Georger Corporation dealer for a replacement.

## 1.4 SAFETY RULES



### **WARNING:**

**DO NOT INSTALL THIS KIT AND OPERATE THE LIFT WITHOUT READING BOTH THIS MANUAL AND YOUR VERTICAL LIFT MANUAL. FAILURE TO DO THIS CAN LEAD TO EQUIPMENT MISUSE WITH RESULTING DAMAGE AND/OR SERIOUS PERSONAL INJURY. CONTACT YOUR RGC® MARINE DEALER IF YOU HAVE ANY QUESTIONS.**

1. Do not install this kit without first replacing any damaged or defective parts.
2. The extension legs do not increase the rated capacity of the lift. Never use the lift beyond its rated capacity. This can damage the kit assembly, lift, and/or boat with resulting serious personal injury.
3. Never try using any part of this kit in an application for which it was not designed.
4. Do not weld or otherwise modify any part of this kit. Such alterations may weaken the structural integrity of the lift and void the warranty.
5. Do not try installing the extension legs with the weight of the boat on the lift. This can cause equipment damage and/or personal injury.
6. The following precautions must be observed when lifting any part of this equipment:
  - a. Be sure of your footing.
  - b. Bend your knees and lift with your legs.
  - c. Hold the equipment section close to your body when lifting.

7. After the extension legs are installed, the safety checks in Steps 8 through 25 must be performed on your lift prior to operation. Details on these checks are given in your vertical lift manual.
8. Before allowing anyone to operate the lift, be sure they fully understand the proper operating procedure.
9. Do not operate the lift under the influence of drugs, alcohol, or medication.
10. Keep people and pets clear during operation of the lift.
11. Keep fingers and clothing clear of all moving parts.
12. Never allow people in the boat any time it is suspended above the water on the platform.



**WARNING:**

**DO NOT STAND OR WALK ON THE PLATFORM WHILE IT IS IN ANY RAISED POSITION. THIS CAN CAUSE SERIOUS PERSONAL INJURY.**

13. Do not allow anyone to swim or play under, near or on the lift at any time.
14. Insure that all bolts and nuts are fastened securely on both this kit and the lift prior to operation.
15. Insure that the frame is level and square.
16. Completely remove any user or dealer installed locking devices before operating the lift.
17. The boat must be secured on the lift before raising or lowering. Failure to do this can cause equipment damage and/or serious personal injury.
18. Check the lift periodically for frayed cables and/or binding pulleys. If any pulley binds, replace it immediately.
19. Do not try making any adjustments on the lift during operation.
20. Contact your dealer if the winch mechanism fails to perform as described in the Operation chapter of your vertical lift manual.
21. Never tamper with the winch mechanism. This can cause equipment damage.
22. When using a direct drive or motorized friction drive, understand the use of all controls and connections provided with it.



**WARNING:**

**ALL ELECTRIC DRIVES MUST BE INSTALLED AND INSPECTED BY A CERTIFIED ELECTRICIAN IN ACCORDANCE WITH LOCAL ELECTRICAL CODES. THIS INSTALLATION MUST INCLUDE A PROPERLY WORKING GROUND FAULT CIRCUIT INTERRUPTER. (G.F.C.I.)**

23. Never use the lift to hang or store any auxiliary equipment such as boating hardware.
24. The handwheel or power drive must turn clockwise when raising the platform and counter-clockwise when lowering the platform. If the platform operates in the reverse sense, you have reeved the winch incorrectly. You **MUST** follow the winch reeving instructions in your vertical lift manual to prevent equipment damage and/or personal injury. The brake pawl must click during platform raising, indicating that the brake is operative. The self-activating brake mechanism must provide a controlled lowering of the platform.



**WARNING:**

**NEVER RELEASE THE BRAKE PAWL OF THE WINCH. THIS CAN TRIGGER AN UNCONTROLLED SPIN-DOWN OR “FREEWHEEL” OF THE HANDWHEEL. IF FREEWHEELING OCCURS, NEVER TRY TO STOP IT AS THIS CAN CAUSE SERIOUS PERSONAL INJURY.**

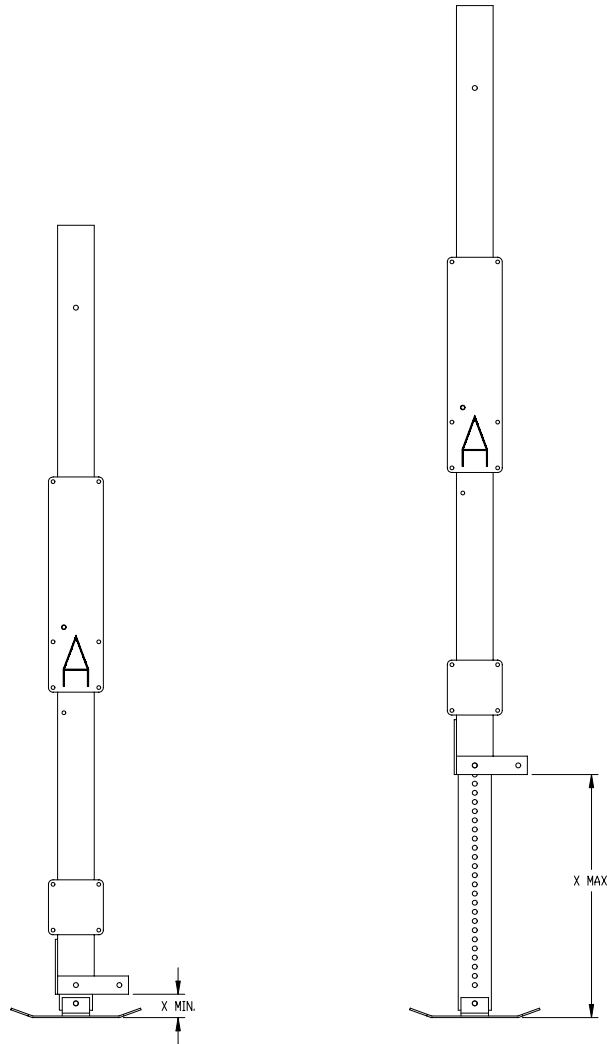
25. Padlock the handwheel to the post or lock out your power drive to prevent unauthorized use when your lift is left unattended.

## 2 SPECIFICATIONS

### 2.1 TECHNICAL DATA

All extension legs are furnished with bracing except the 29-1/2 in. size and are adjustable at 1 in. increments. Adjustment range is measured from base of vertical leg to bottom of foot plate. Standard VL Vertical Leg Length is 84 in.

EXTENSION LEG SIZE	ADJUSTMENT RANGE ( IN.)	APPROX. SHIP WT. LBS ( PR.)
29-1/2 IN. ( no bracing )	2-9/16 to 26-9/16	14
4 FT.	19-1/16 to 43-1/16	31
6 FT.	43-1/16 to 67-1/16	39
8 FT.	67-1/16 to 91-1/16	51
10 FT.	91-1/16 to 115-1/16	60



**Figure 2-1**  
**VL Extension Legs**

## 3 INSTALLATION AND SETUP

### 3.1 PRE-INSTALLATION CHECKS

1. Do not install this kit and operate the lift without reading both this manual and your vertical lift manual. Failure to do this can lead to equipment misuse with resulting damage and/or personal injury.
2. Do not install this kit without first replacing any damaged or defective parts.
3. Do not weld or otherwise modify any part of this kit. Such alterations may weaken the structural integrity of the lift and void the warranty.
4. This product has been supplied with stainless steel hardware to protect against a harsh marine environment and provide outstanding performance. Due to the chemistry and surface condition of stainless steel, there is a natural tendency for the hardware to “gall, lock up, or seize” during assembly. To prevent this from occurring, it is **highly recommended** that the anti-seize supplied in the hardware bag be applied to the mating surfaces of all stainless steel fasteners before assembly. Lubricants containing molybdenum disulfide, graphite, mica or talc may also be used.
5. Do not try installing the extension legs with the weight of the boat on the lift. This can cause equipment damage and/or personal injury.



#### **CAUTION:**

**DO NOT EXCEED THE MAXIMUM TORQUE RATING ON ALL BOLTS OF 20 FT-LBS.**



#### **WARNING:**

**FAILURE TO APPLY A SUITABLE LUBRICANT TO THE MATING SURFACES OF STAINLESS STEEL THREADED FASTENERS MAY CAUSE GALLING AND/OR SEIZING OF ASSEMBLY.**

### 3.2 MOUNTING THE EXTENSION LEGS

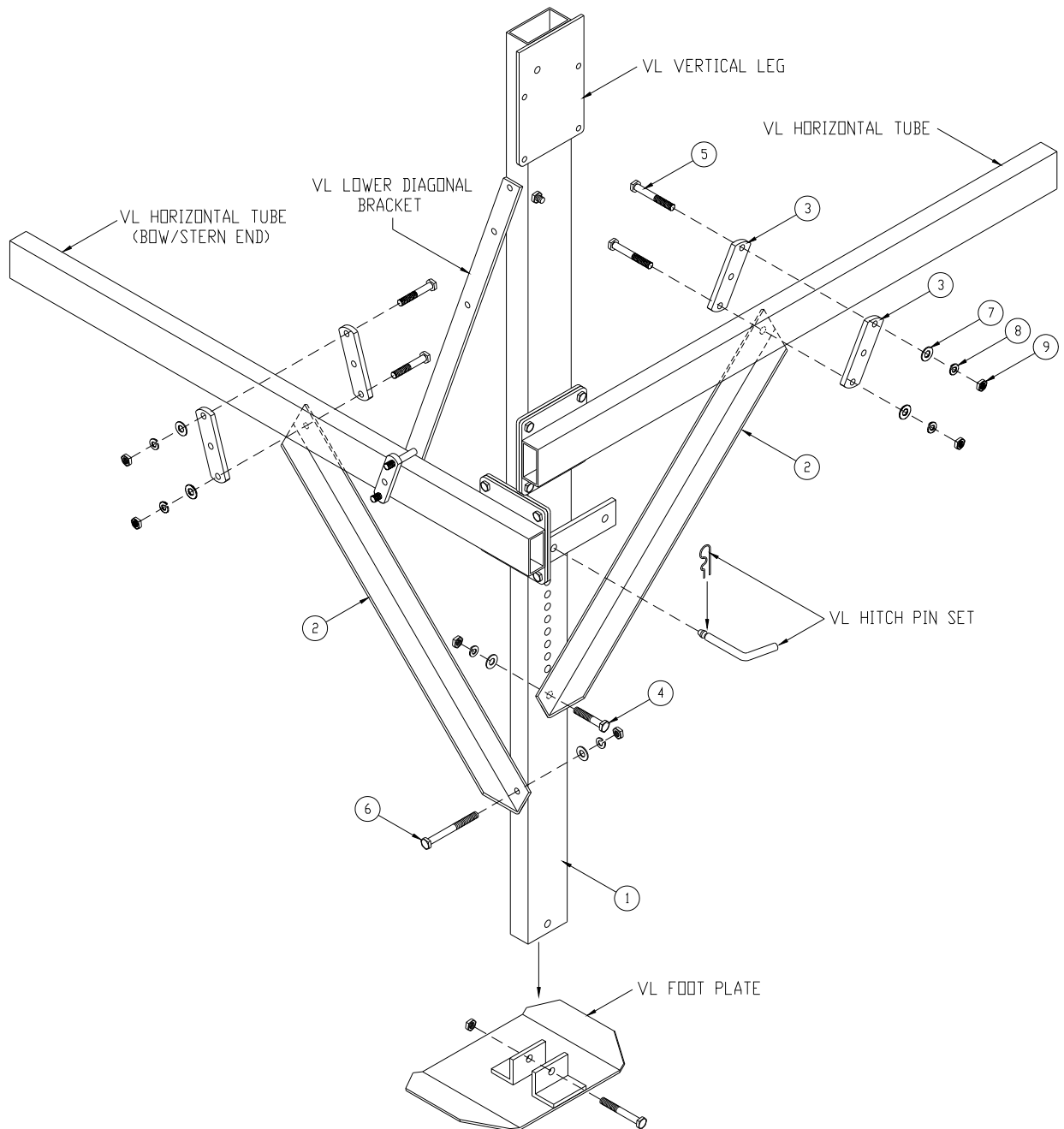
1. **Refer to Figure 3-1.** Assemble the foot plate to the bottom end of the extension leg using a 1/2-13 x 3” HHCS and 1/2 “ locknut. ( Foot plate and related hardware is supplied with your boat lift ).
2. Insert the extension leg into the bottom of the vertical leg and set to your desired height. Insert leg pin thru holes in vertical and extension leg fastening with leg pin spring clip as shown. ( VL Hitch Pin Set supplied with boat lift ).
3. Insure that the lift frame and platform will be level and square when installed.

### 3.3 MOUNTING THE EXTENSION LEG BRACES

1. **Refer to Figure 3-1.** Fasten one end of extension leg brace to the hole located on the narrow side of the extension leg as shown.
2. Swing the opposite end of extension leg brace to the underside of horizontal tube on bow / stern end of lift with (2) three hole plates and hardware shown.
3. Fasten other extension leg brace to the hole on the wider side of the extension leg as shown.
4. Swing the opposite end of extension leg brace to the horizontal tube on side of lift with (2) three hole plates and hardware shown.
5. Repeat above procedure for remaining applicable corners of lift.

### 3.4 MOVING LIFT TO OPERATING POSITION

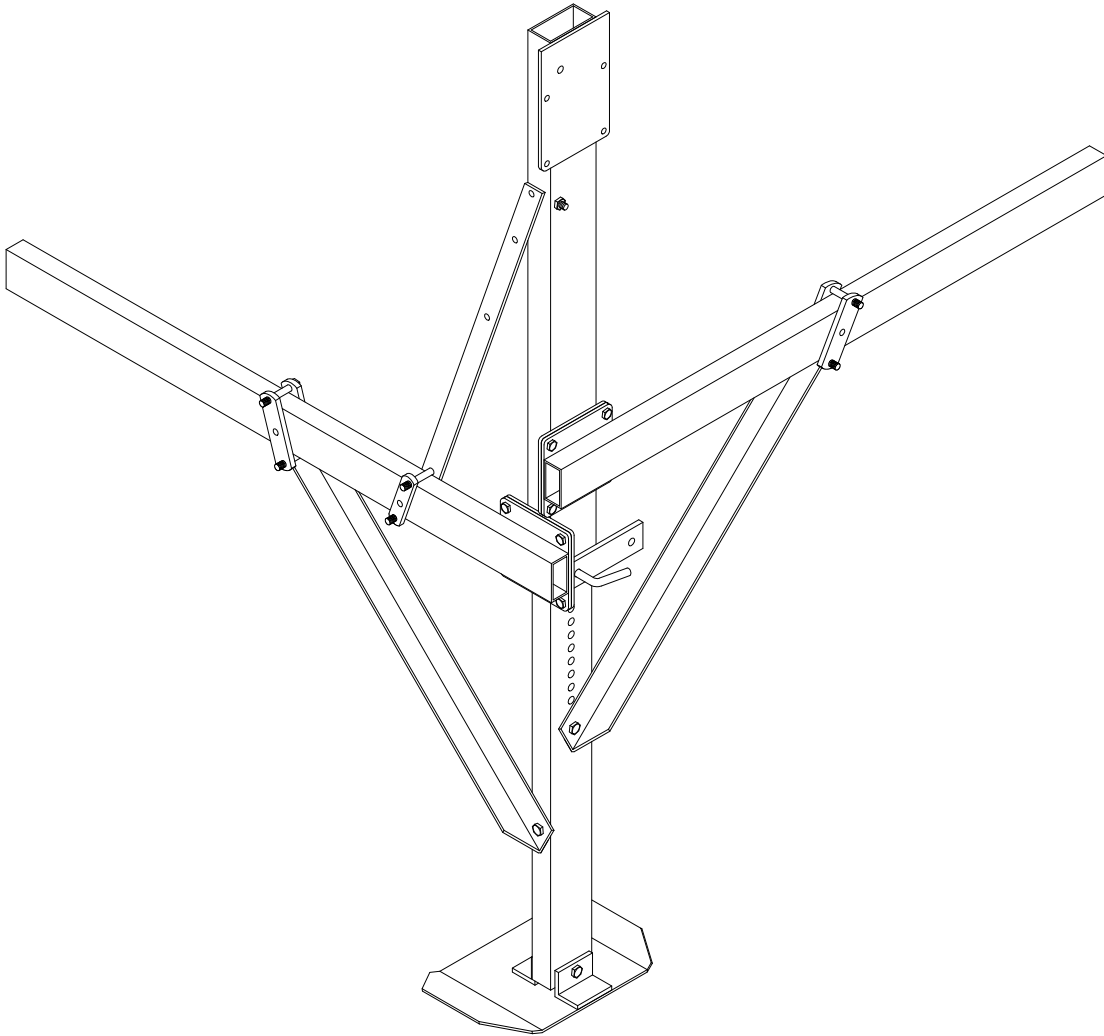
1. Before moving lift to operating position, insure the completed extension leg assembly appears as shown in **Figure 3-2** and all hardware is securely fastened.
2. The following precautions must be observed when moving your lift:
  - a. Be sure of your footing.
  - b. Bend your knees and lift with your legs.
  - c. Hold the lift section close to your body when lifting.
3. After moving your lift to the operating position, insure that the frame is square and that the lift sets level.



**Figure 3-1.**  
**VL Extension Leg Assembly**



**CAUTION:**  
INSURE LIFT IS SQUARE AND LEVEL TO PREVENT PLATFORM BINDING AND OR  
EQUIPMENT DAMAGE.



**Figure 3-2.**  
**VL Extension Leg Assembly Complete**

## 4 PARTS LIST

Each reference number in the following parts lists can be matched with the reference number referred to in the illustrations of the instruction manual.



### **WARNING:**

**FAILURE TO APPLY A SUITABLE LUBRICANT TO THE MATING SURFACES OF STAINLESS STEEL THREADED FASTENERS MAY CAUSE GALLING AND/OR SEIZING OF ASSEMBLY.**

#### **#3623831 VL Extension Legs 29.5 In. (1 Pr.)**

REF #	PART #	QTY	DESCRIPTION
1	3623830	2	VL EXT LEG 29.5"

#### **#3623911 VL Extension Legs 4 Ft. (1 Pr.)**

REF #	PART #	QTY	DESCRIPTION
1	3623912	2	VL EXT LEG 4 Ft.
2	3603914	4	VL EXT LEG BRACE 36"
	3606655	1	VL EXT LEG SS BOB ( see table below)

#### **#3623914 VL Extension Legs 6 Ft. (1 Pr.)**

REF #	PART #	QTY	DESCRIPTION
1	3623913	2	VL EXT LEG 6 Ft.
2	3603914	4	VL EXT LEG BRACE 36"
	3606655	1	VL EXT LEG SS BOB ( see table below)

#### **#3623916 VL Extension Legs 8 Ft. (1 Pr.)**

REF #	PART #	QTY	DESCRIPTION
1	3623915	2	VL EXT LEG 8 Ft.
2	3603916	4	VL EXT LEG BRACE 48"
	3606655	1	VL EXT LEG SS BOB ( see table below)

#### **#3623918 VL Extension Legs 10 Ft. (1 Pr.)**

REF #	PART #	QTY	DESCRIPTION
1	3623917	2	VL EXT LEG 10 Ft.
2	3603916	4	VL EXT LEG BRACE 48"
	3606655	1	VL EXT LEG SS BOB ( see table below)

#### **#3606655 VL Extension Legs Bag Of Bolts**

REF #	PART #	QTY	DESCRIPTION
3	9703593	8	THREE HOLE PLATE
4	5896253	2	3/8-16 x 2-1/2" HHCS
5	5896257	8	3/8-16 x 3-1/2" HHCS
6	5896262	2	3/8-16 x 4-1/2" HHCS
7	5896406	12	3/8 WASHER SAE
8	5806243	12	3/8 WASHER SPLIT LOCK
9	5803638	12	3/8-16 HEX NUT SILCONE BRONZE