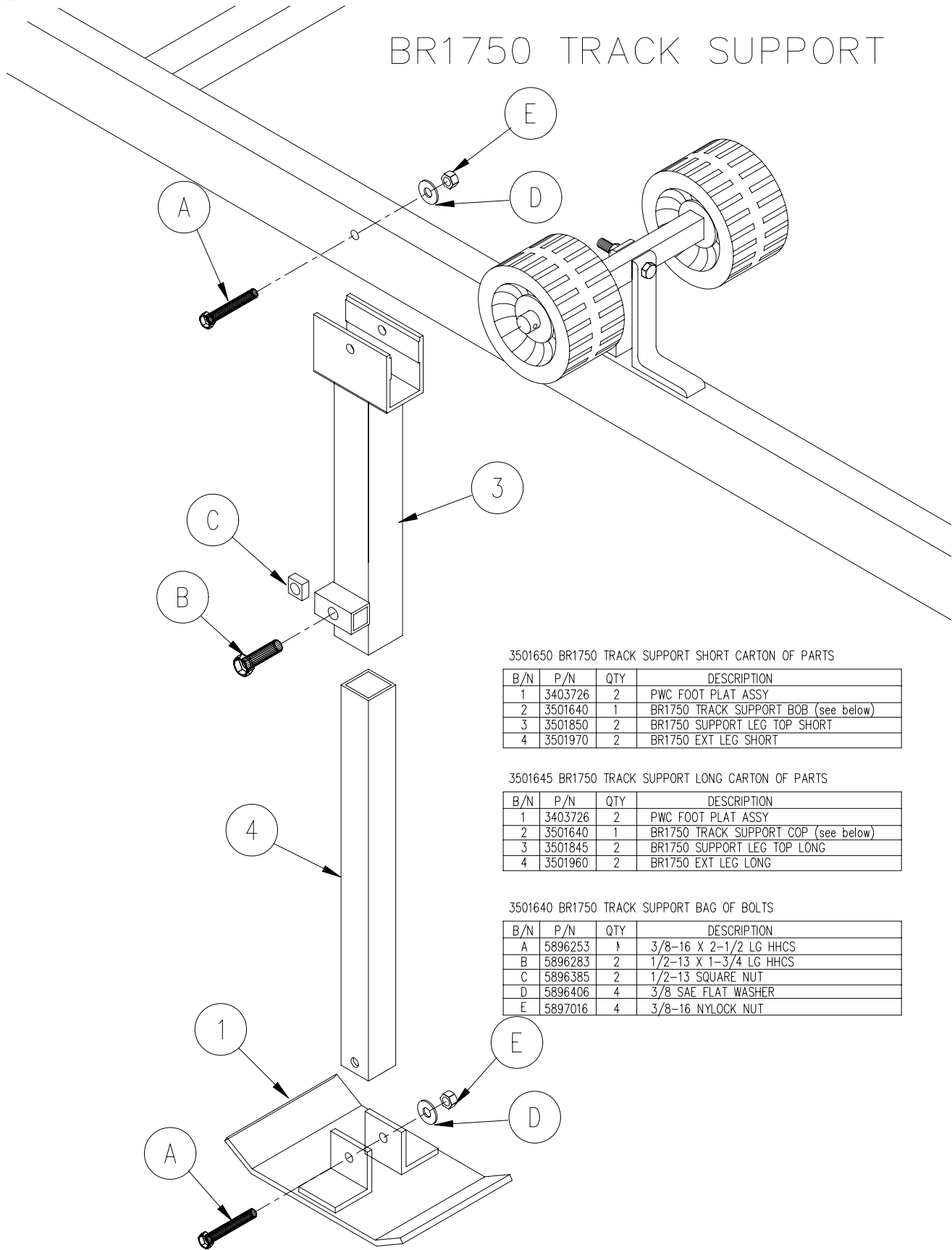




# REIMANN & GEORGER CORPORATION

## BR1750 TRACK SUPPORT



### 3501650 BR1750 TRACK SUPPORT SHORT CARTON OF PARTS

B/N	P/N	QTY	DESCRIPTION
1	3403726	2	PWC FOOT PLAT ASSY
2	3501640	1	BR1750 TRACK SUPPORT BOB (see below)
3	3501850	2	BR1750 SUPPORT LEG TOP SHORT
4	3501970	2	BR1750 EXT LEG SHORT

### 3501645 BR1750 TRACK SUPPORT LONG CARTON OF PARTS

B/N	P/N	QTY	DESCRIPTION
1	3403726	2	PWC FOOT PLAT ASSY
2	3501640	1	BR1750 TRACK SUPPORT COP (see below)
3	3501845	2	BR1750 SUPPORT LEG TOP LONG
4	3501960	2	BR1750 EXT LEG LONG

### 3501640 BR1750 TRACK SUPPORT BAG OF BOLTS

B/N	P/N	QTY	DESCRIPTION
A	5896253	1	3/8-16 X 2-1/2 LG HHCS
B	5896283	2	1/2-13 X 1-3/4 LG HHCS
C	5896385	2	1/2-13 SQUARE NUT
D	5896406	4	3/8 SAE FLAT WASHER
E	5897016	4	3/8-16 NYLOCK NUT