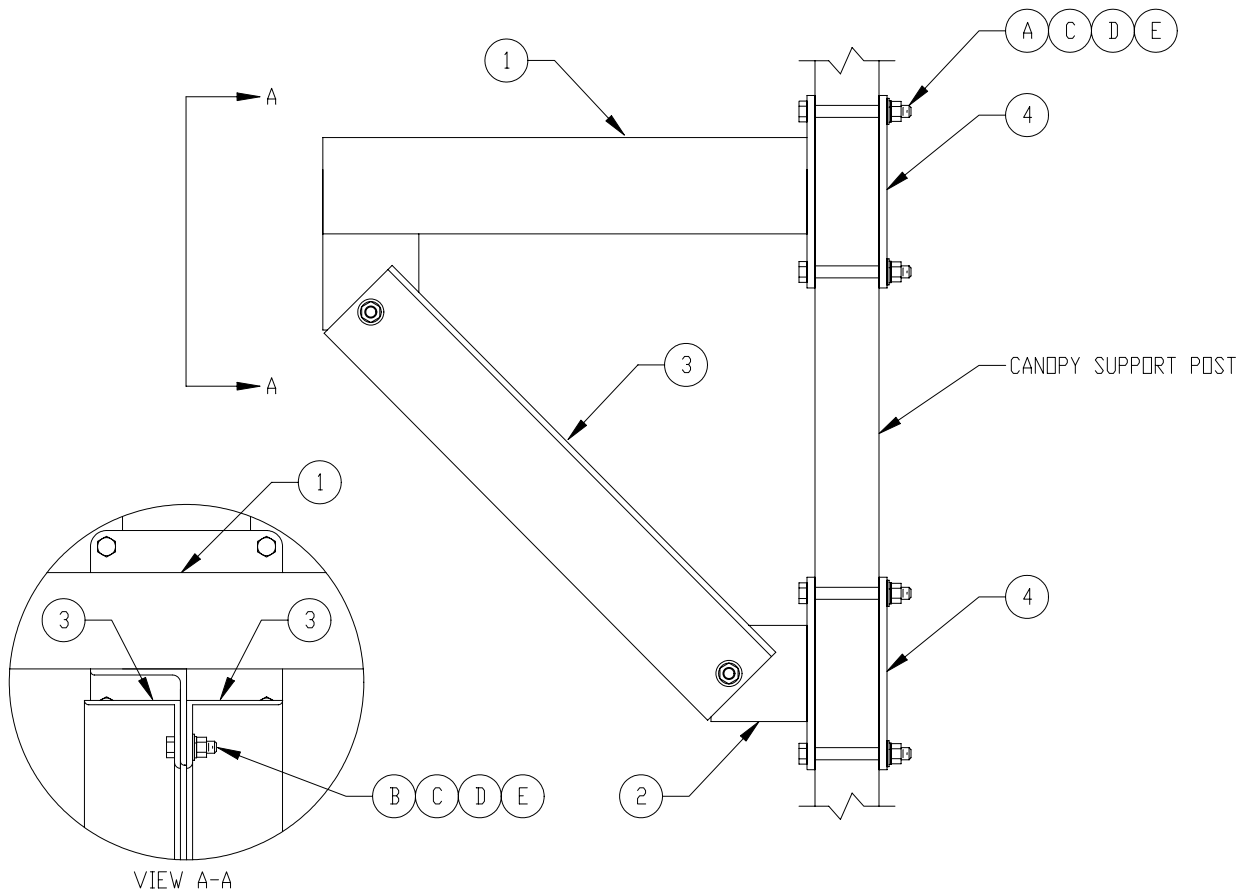


HL CONTROL BOX SHELF (P/N 4100585) INSTRUCTIONS

PARTS LIST

REF #	PART #	QTY	DESCRIPTION
1	4100580	1	HL SHELF FRAME
2	4100583	1	HL SHELF BRACKET
3	4100582	2	HL SHELF DIAGONAL BRACE
4	3687000	2	MOUNTING PLATE 6" X 6"
	4100940	1	HL CONTROL BOX SHELF BAG OF BOLTS consisting of:
A	5897017	8	HHCS 3/8-16 X 3-1/4 SS
B	5896248	2	HHCS 3/8-16 X 1-1/4 SS
C	5896406	10	WASHER FLAT SAE 3/8" SS
D	5806243	10	WASHER SPLIT LOCK 3/8 SS
E	5896377	10	NUT HEX 3/8-16 SS



1. Read the following instructions thoroughly before starting work. If you don't understand a procedure, call Reimann & Georger Corporation or its distributors for assistance.
2. Insure that you have all the parts listed. If any parts are missing or damaged, return to place of purchase immediately.
3. Mount the Shelf Frame **#1** onto the Canopy Support Post as shown in Figure 1 using bolts **A**, flat washers **C**, lock washers **D**, nuts **E**, and a Mounting Plate **#4**.
4. Loosely attach the Diagonal Braces **#3** to the Shelf Frame **#1** as shown in View A-A using bolt **B**, flat washer **C**, lock washer **D**, and nut **E**.
5. Loosely attach the Shelf Bracket **#2** to the Diagonal Braces **#3** as shown in Figure 1 using bolt **B**, flat washer **C**, lock washer **D**, and nut **E**.
6. Mount the Shelf Bracket **#2** onto the Canopy Support Post as shown in Figure 1 using bolts **A**, flat washers **C**, lock washers **D**, nuts **E**, and a Mounting Plate **#4**. Tighten all hardware.