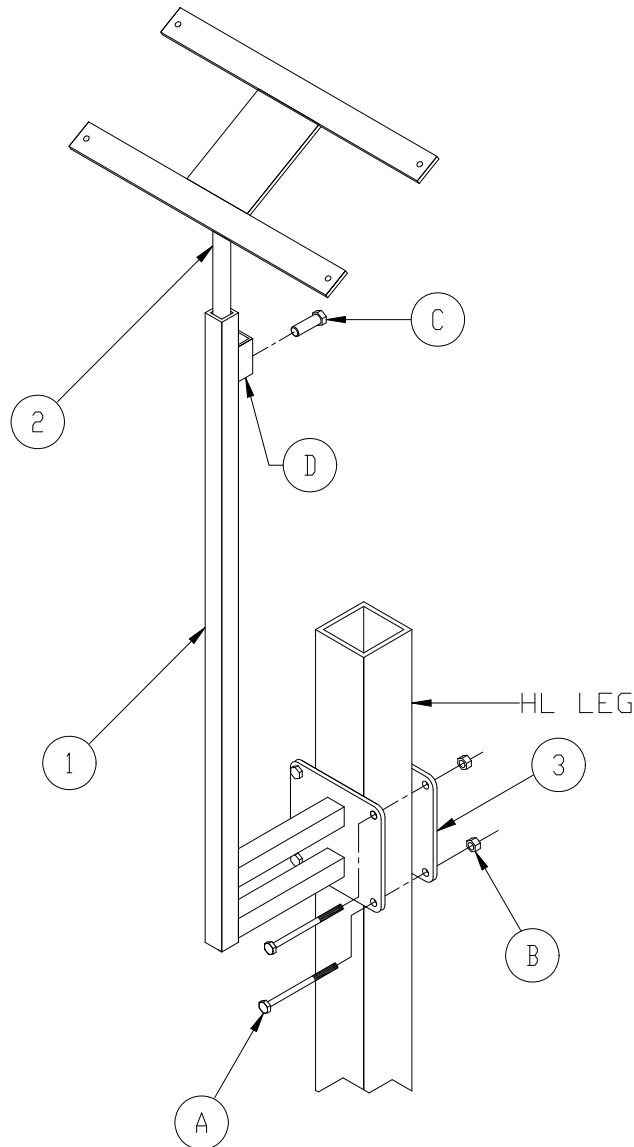


**4107155 HL SOLAR PANEL LEG MOUNT**

**PARTS LIST**

REF #	PART #	QTY	DESCRIPTION
1	3641475	1	HVL SOLAR PANEL SUPPORT LEG
2	3641474	1	HVL SOLAR PANEL PIVOT MOUNT
	<b>3641285</b>	<b>1</b>	<b>HVL SOLAR PANEL LEG MOUNTING BOB:</b>
3	3681000	1	HORIZONTAL MOUNTING PLATE 6"
A	5896262	4	HHCS 3/8-16 X 4-1/2
B	5897016	4	NUT HEX NYLOCK 3/8-16 SS/WAX
C	5896282	1	HHCS 1/2-13 X 1-1/2
D	5896385	1	NUT SQUARE HEAD 1/2-13 SS



**Figure 1**

1. Read the following instructions thoroughly before starting work. If you don't understand a procedure, call Reimann & Georger Corporation or its distributors for assistance.
2. Insure that you have all the parts listed. If any parts are missing or damaged, return to place of purchase immediately.
3. The solar panel pivot mount #2 slides into the solar panel support leg #1 and is secured into place using a 1/2" bolt **C** and a square nut **D**.
4. Place the solar panel support leg onto the HL canopy extension leg. Clamp into place as shown in Figure 1 using a 6" horizontal mounting plate **3** and fasten with 3/8 bolts **A** and lock nuts **B**.
5. Once the solar panel support leg is attached to the lift, position the solar panel pivot mount so that it faces in the direction of the sun, and tighten into place using the bolt and square nut.