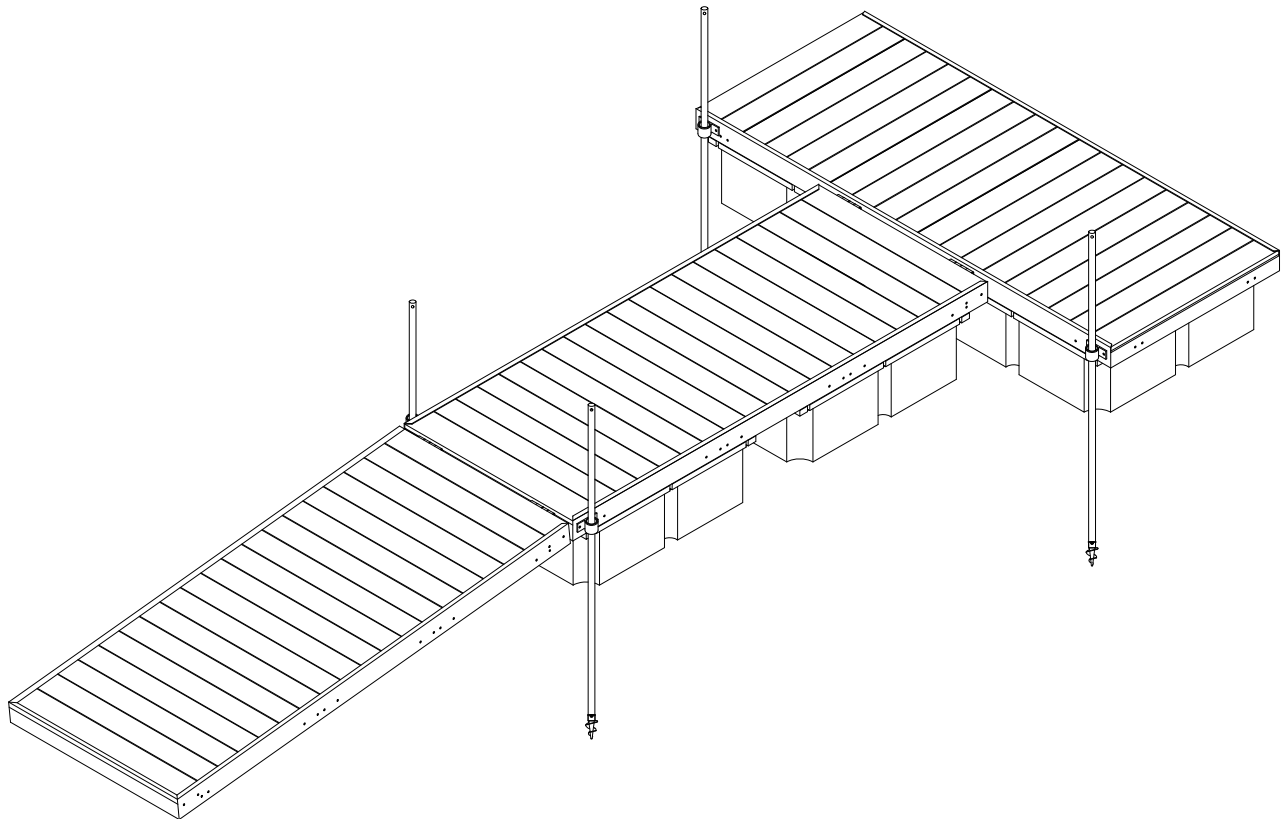




FLOATING DOCK INSTRUCTIONS



REIMANN & GEORGER CORPORATION
MARINE PRODUCTS
P/N 6112020

BUFFALO, NY
04/18/08

TABLE OF CONTENTS

CHAPTER	TITLE	PAGE
1	SAFETY	1
1.1	Introduction	1
1.2	Safety Definitions	1
1.3	Equipment and Personnel Safety	1
2	SPECIFICATIONS	2
2.1	Technical Data	2
2.2	Optional Equipment	2
3	INSTALLATION AND SETUP	3
3.1	Configuration Guidelines	3
3.2	Pre-Installation Checks	3
3.3	General Assembly Instructions	4
3.4	Dock Floater Assembly	4
3.5	Dock Anchor Pipe Sleeve Assembly	5
3.6	Dock Hinge Halves Assembly	6
3.7	Setting the Dock in the Water	7
3.8	Dock Hinge Assembly	7
3.9	Dock Anchor Kit Assembly	8
3.10	Dock Ramp Assembly	8
4	INSPECTION AND MAINTENANCE	9
4.1	General Maintenance Rules	9
4.2	Annual Inspection	9
4.3	Storage Procedure	9
5	PARTS LISTS	10
5.1	Floating Dock Ramp with Aluminum Deck	10
5.2	Floating Dock Ramp with Cedar Deck	10
5.3	Floating Dock Section without Deck	10
5.4	Floating Dock Section with Aluminum Deck	10
5.5	Floating Dock Section with Cedar Deck	11
5.6	Dock Float Kit	11
5.7	Floating Dock Anchor Kit 6'	11
5.8	Floating Dock Anchor Kit 8'	11
5.9	Floating Dock Anchor Kit 10'	11
5.10	Floating Dock Anchor Kit 12'	11
5.11	Floating Dock Pipe Anchor Carton of Parts	11
5.12	Dock Float Bag of Bolts	12
5.13	Dock Float Ramp Tread Plate Bag Of Bolts	12
5.14	Floating Dock Hinge Hardware & Bag of Bolts	12
5.15	Floating Dock Pipe Anchor Bag of Bolts	12

FIGURE	DESCRIPTION	PAGE
3-1	Typical Floating Dock Configurations	3
3-2	Dock Floater Assembly	4
3-3	Dock Anchor Pipe Sleeve Assembly	5
3-4	Dock Hinge Halves Assembly	6
3-5	Dock Hinge Assembly	7
3-6	Dock Anchor Kit Assembly	8
3-7	Dock Ramp Assembly	8

1 SAFETY

1.1 INTRODUCTION

Your Reimann & Georger Corporation Marine Products Floating Dock has been engineered to provide reliable performance, long term economics and safety advantages that no other type can match. However, even a well-designed and well-built dock can malfunction or become hazardous in the hands of an inexperienced and/or untrained user. Therefore, read this manual and related equipment manuals thoroughly before using your dock to provide maximum safety for all personnel, and to get the maximum benefit from your equipment.

1.2 SAFETY DEFINITIONS

A safety message alerts you to potential hazards that could hurt you or others or cause property damage. The safety messages or signal words for product safety signs are **DANGER**, **WARNING**, and **CAUTION**. Each safety message is preceded by a safety alert symbol and is defined as follows:

DANGER: Indicates an imminently hazardous situation which, if not avoided, **will** cause death or serious injury. This safety message is limited to the most extreme situations.

WARNING: Indicates a potentially hazardous situation which, if not avoided, **could** result in death or serious injury.

CAUTION: Indicates a potentially hazardous situation which, if not avoided, **may** result in minor or moderate injury. It may also be used to alert against unsafe practices and property-damage-only accidents.

1.3 EQUIPMENT AND PERSONNEL SAFETY

1. Do not assemble or use the dock if any part shows any signs of damage.
2. Do not weld or otherwise modify the dock. Such alterations may weaken the structural integrity of the dock and void the warranty.
3. Insure that all bolts and nuts are fastened securely prior to using the dock.
4. All docking accessories must be commercially manufactured and be properly maintained and installed.
5. Do not install or use the dock under the influence of drugs, alcohol, or medication.
6. The dock is intended to support the weight of people only. Do not place any type of watercraft or any heavy equipment on the dock.
7. Do not leave objects such as boating hardware laying on the dock. These can cause someone to trip and fall into the water.
8. Do not use the dock during an electrical storm.
9. Do not allow anyone to swim or play under, near or on the dock at any time.
10. At least once a year, inspect the dock thoroughly.
11. Immediately replace any components found to be defective.

2 SPECIFICATIONS

2.1 TECHNICAL DATA

Dock sections are available in three deck options, powder coated aluminum (ivory), cedar wood, or without deck (customer supplies material of choice).

Dimensions	4 ft. x 10 ft.
Weight with powder-coated decking	116 lbs.
Weight with cedar decking	131 lbs.
Weight without decking	55 lbs.
Weight of 4 ft. x 4 ft. x 16 in. floater	67 lbs.

2.2 OPTIONAL EQUIPMENT

The following options are available which enable you to customize your dock system for your particular operation. Installation instructions for items 1 and 2 are included in this manual. Manuals for items 3 through 8 are provided as part of each option kit.

1. **Anchor kit** – Allows dock to float in fluctuating water levels while providing anchoring to lake bottom. Kits come in 6', 8', 10', and 12' pipe lengths for varying water depths.
2. **Ramp section** – Standard dock section with tread plate attached to allow for a smooth transition from shore to deck surface of ramp section.
3. **Cleat** – Attaches to deck material to provide a mooring point for watercraft. Available in single units.
4. **Ladder** – Attaches to deck material to provide access from watercraft or water to dock surface. Available in single unit.
5. **Rubrail corner bumper** – Covers upper corner of dock frame to minimize injury or property damage. Can be used on all outside corners of dock system. Available in single units.
6. **Rubrail four-foot bumper** – Covers upper edge of dock frame at end of dock system to minimize injury or property damage. Available in single units.
7. **Rubrail ten-foot bumper** – Covers upper edge of dock frame side to minimize injury or property damage. Can be used on side rails of entire dock system. Available in single units.

3 INSTALLATION AND SETUP

3.1 CONFIGURATION GUIDELINES

1. Your Reimann & Georger Corporation Floating Docks are modular sections that simply bolt together for easy installation or quick dismantling for winter storage.
2. Lay out the general shape of the dock system to fit your needs. Refer to Figure 3-1 for some typical configurations. All floating dock sections are capable of any of the below configurations with the use of hinge assemblies.

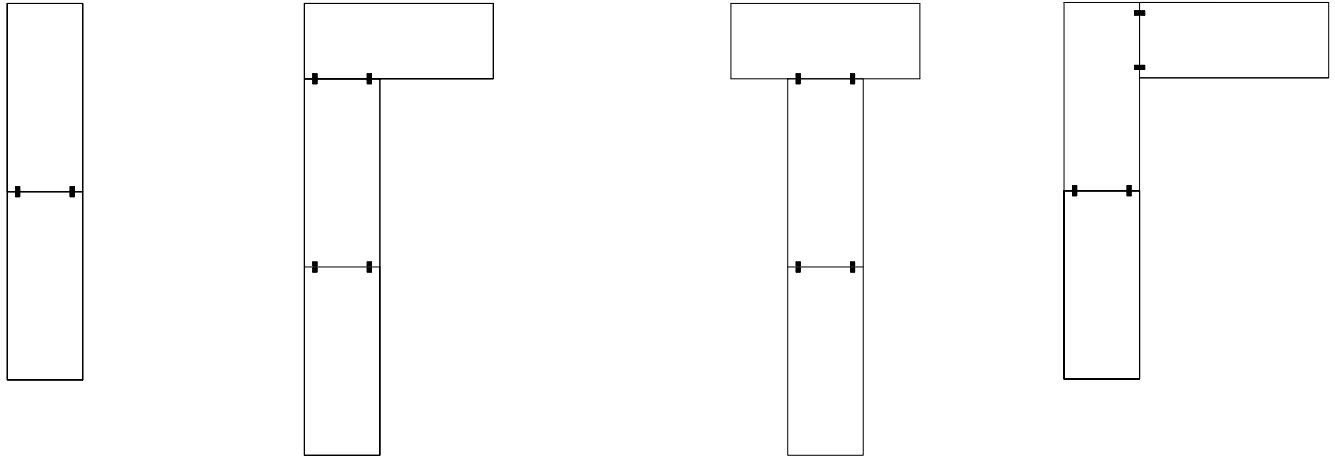


Figure 3-1
Typical Floating Dock Configurations

3. Water depths at the dock site must be known, from the lake bottom to normal summer level, in order to use the proper anchor kit. As water level fluctuates throughout the season, the floating dock sections will self adjust.

3.2 PRE-INSTALLATION CHECKS

1. Check the packing list to insure that you have all the parts for the dock configuration you are planning to build. Insure you have the desired type of deck.
2. If any parts are missing or damaged, contact your local supplier or Reimann & Georger Corporation. Do NOT assemble the dock if any part shows any signs of damage.
3. Do not weld or otherwise modify any part of the dock assembly. Such alterations may weaken the structural integrity of the dock and void the warranty.
4. Check water depth every ten feet where each anchor pipe will be located.
5. Do not assemble the dock without first reviewing all the safety procedures described in Chapter 1.

3.3 GENERAL ASSEMBLY INSTRUCTIONS

1. The dock sections are the same regardless of configuration. Anchor kits vary by water depth and end placement.
2. Set two floaters per dock section on shore near desired dock location. Dock frames will be bolted to floaters before moving assemblies into the water.
3. Decking must be attached to frame before hinge parts are connected to both ends of a single section.
4. Stainless steel threaded fasteners have a natural tendency to “gall, lock-up, or seize” during assembly and disassembly. **Lubricate** stainless steel threaded fasteners with a suitable lubricant. Common suitable lubricants contain molybdenum disulfide, graphite, mica, or talc.

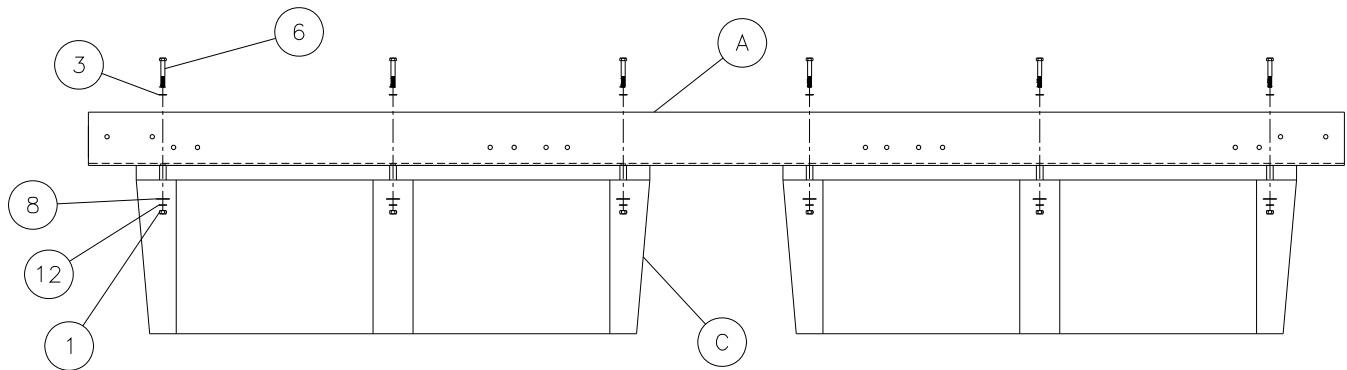


WARNING:

FAILURE TO APPLY A SUITABLE LUBRICANT TO THE MATING SURFACES OF STAINLESS STEEL THREADED FASTENERS MAY CAUSE GALLING AND/OR SEIZING OF ASSEMBLY.

3.4 DOCK FLOATER ASSEMBLY

1. (Refer to Figure 3-2) Set two dock floaters (C) in proper orientation on flat shore approximately 12-1/2” apart. The three bolt slots in the top of each floater should be visible from the side, if they aren’t, turn the floater ninety degrees.
2. The floating dock frame (A) can now be set on the floaters (C). Align holes of dock frame (A) with slots in floaters (C), and attach using twelve each 3/8” hex head cap screw (6), 3/8” flat washer (3), 3/8” fender washer (8), 3/8” split lock washer (12), and 3/8” hex nut (1). Tighten all fasteners securely.



**Figure 3-2
Dock Floater Assembly**

3.5 DOCK ANCHOR PIPE SLEEVE ASSEMBLY

1. Decide on placement and quantity of dock pipe anchor systems. In calm water environments one anchor kit is recommended per dock section. In situations where wave action is possible, two anchor kits should be installed per dock section.
2. (Refer to Figure 3-3) Attach anchor pipe sleeve (E) to dock section (A) using the supplied fasteners. Align holes in sleeve with holes in dock frame and attach using two each 3/8" hex head cap screw (5), 3/8" nylock nut (10), and four each 3/8" flat washer (3). Tighten all fasteners securely.

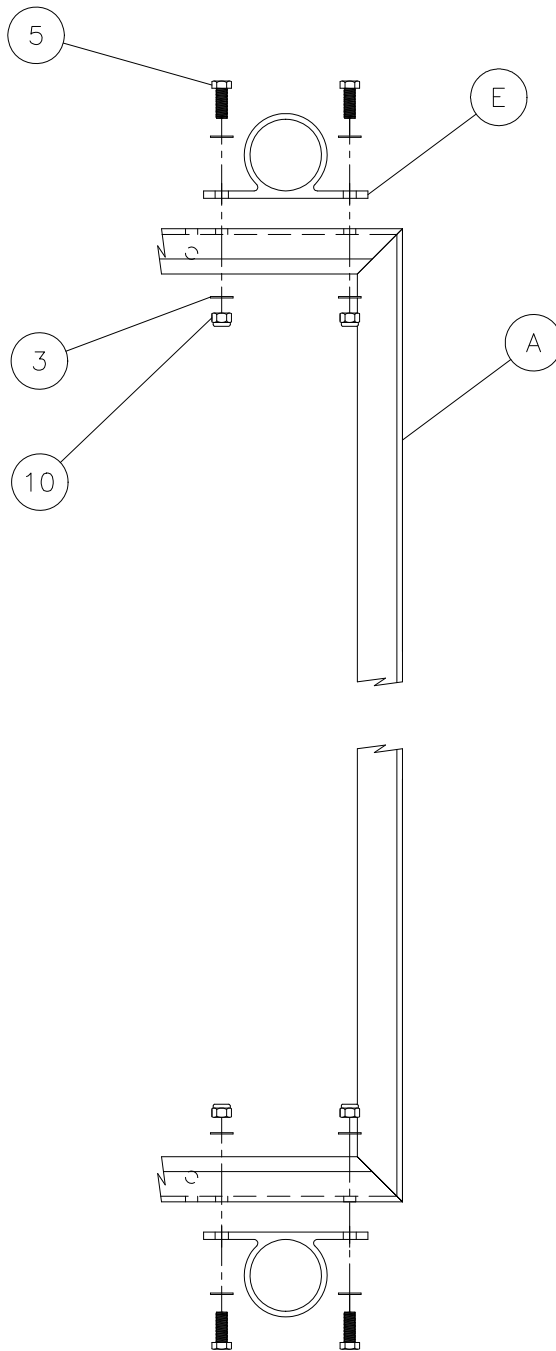


Figure 3-3
Dock Anchor Pipe Sleeve Assembly

3.6 DOCK HINGE HALVES ASSEMBLY

1. (Refer to Figure 3-4) By using two of the floating dock hinge assemblies, the dock frames can be attached in any configuration, regardless of orientation. Part 1 (W) and part 2 (X) of the hinge have holes that are opposite, which allows them to attach at any connection points on the dock frames.
2. Attach hinge parts 1 and 2 to the dock frame sections using the supplied hardware. (Refer to Figure 3-4). Align holes of hinge part 1 (W) and part 2 (X) with holes in dock frames, and attach each part using four each 3/8" hex head cap screw (5), 3/8" hex nylock nut (10), and eight each 3/8" flat washer (3). Tighten all hinge halves securely.

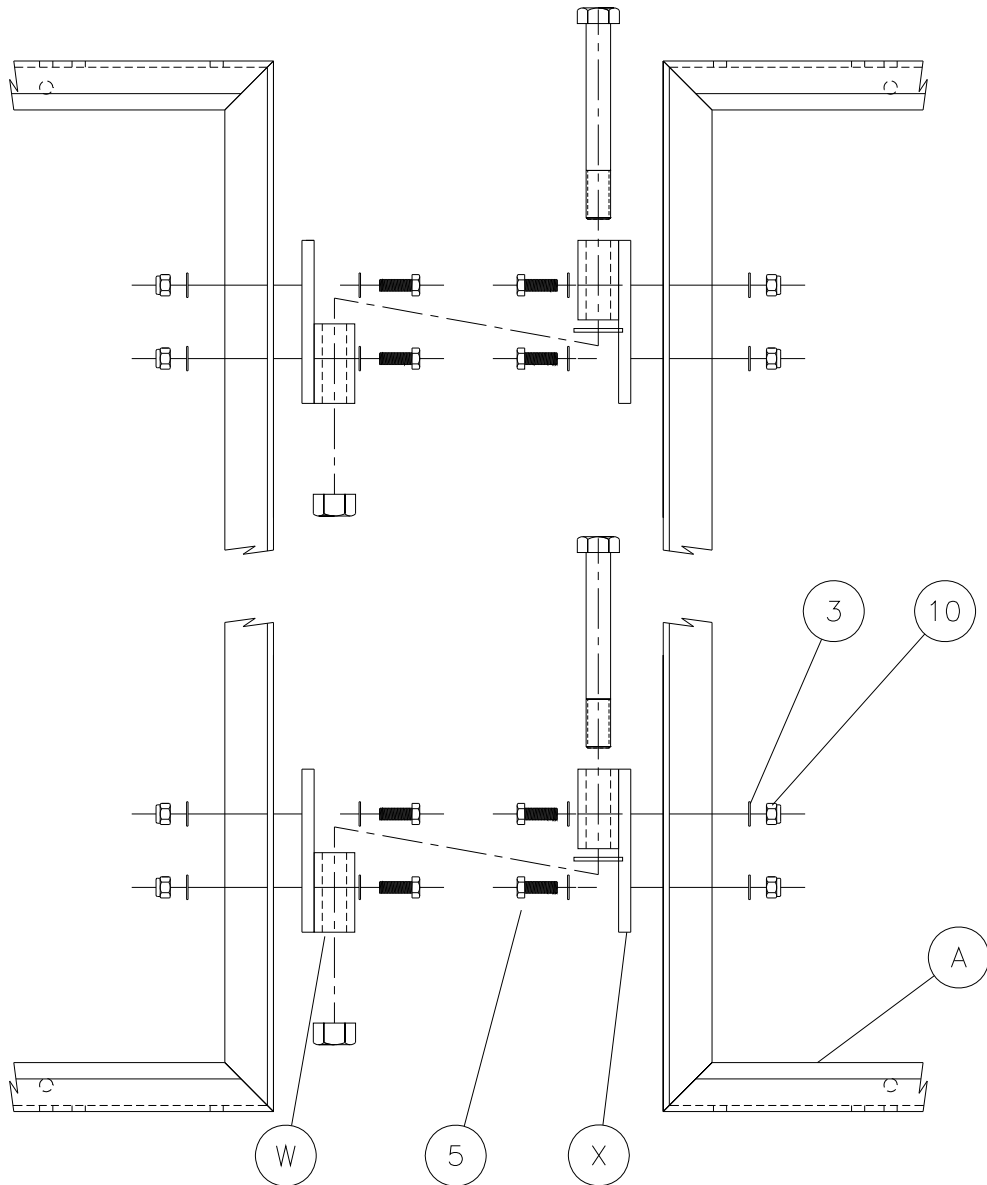


Figure 3-4
Dock Hinge Halves Assembly

3.7 SETTING THE DOCK IN THE WATER



CAUTION:

DO NOT INSTALL THE DOCK SECTION IN ROUGH WATER CONDITIONS.

1. Carefully place first dock section in water. Temporarily secure dock section from floating out of position.
2. Slide desired decking into the dock frame and secure using the supplied self-drilling screws. Eight screws are provided: four screws may be used at each end, with two on each side.

3.8 DOCK HINGE ASSEMBLY

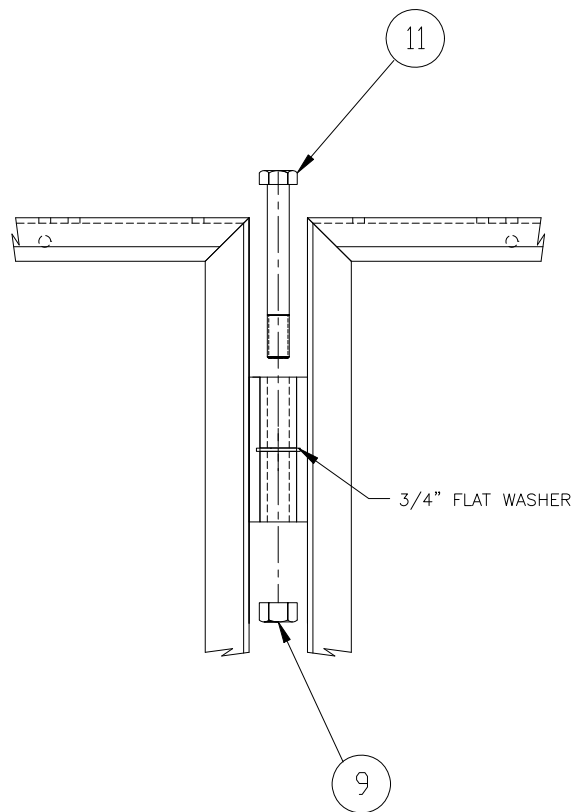
1. Hinge halves can be attached when dock sections are in water. It's recommended for ease of installation that the first dock section to enter the water has the decking installed, and the second dock section not have the decking installed, and so on. This will allow easier access to the hinge. Decking must be attached to frame before hinge parts are connected to both ends of a single section.



WARNING:

INSERT HINGE BOLT AND NUT FROM ABOVE HINGE SECTION. NEVER PLACE ANY BODY PARTS BELOW HINGE OR BETWEEN DOCK SECTIONS.

2. (Refer to Figure 3-5). Attach hinge parts using one each 1/2" hex head cap screw (11), and 1/2" hex nylock nut (9). Coat the 1/2" hex head bolt (11) with the same lubricant being used on the stainless steel threads. This will improve hinge operation. Tighten nut until snug, then back off one-quarter turn, so hinge can pivot freely.



**Figure 3-5
Dock Hinge Assembly**

3.9 DOCK ANCHOR KIT ASSEMBLY

1. When dock sections are placed in final position, the dock anchor kits can be installed.
2. (Refer to Figure 3-6) Place either end of the selected dock pipe (K) through the pipe sleeve (E). Place pipe auger over bottom end of dock pipe. Align threaded hole in pipe auger with hole in dock pipe. Tighten fastener securely.
3. Using the pre-drilled hole near the top of the dock pipe (K), insert a large screwdriver, and turn clockwise. The auger will dig into the lake bottom. Continue to turn dock pipe until it feels sturdy.

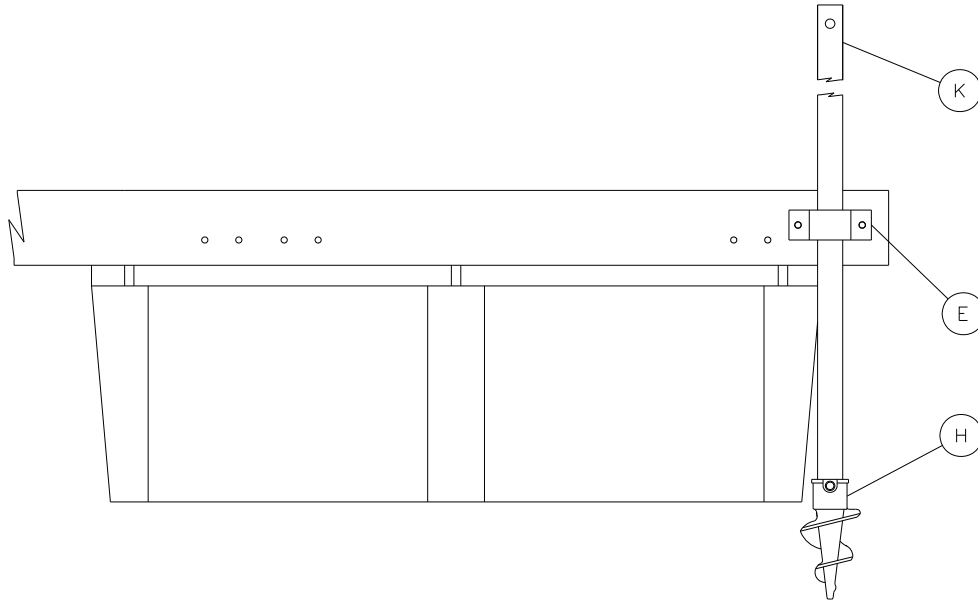


Figure 3-6
Dock Anchor Kit Assembly

3.10 DOCK RAMP ASSEMBLY

1. (Refer to Figure 3-7) After the floating dock sections are in their desired positions, and the anchoring kits are installed, the dock ramp (A) may be assembled.
2. Follow the procedure in section 3.6 and 3.8 to attach the hinge assemblies.



CAUTION:

IF THE GROUND IS SOFT, IT MAY BE NECESSARY TO PLACE BLOCKS UNDER THE RAMP SECTION TO STOP IT FROM SINKING INTO THE GROUND.

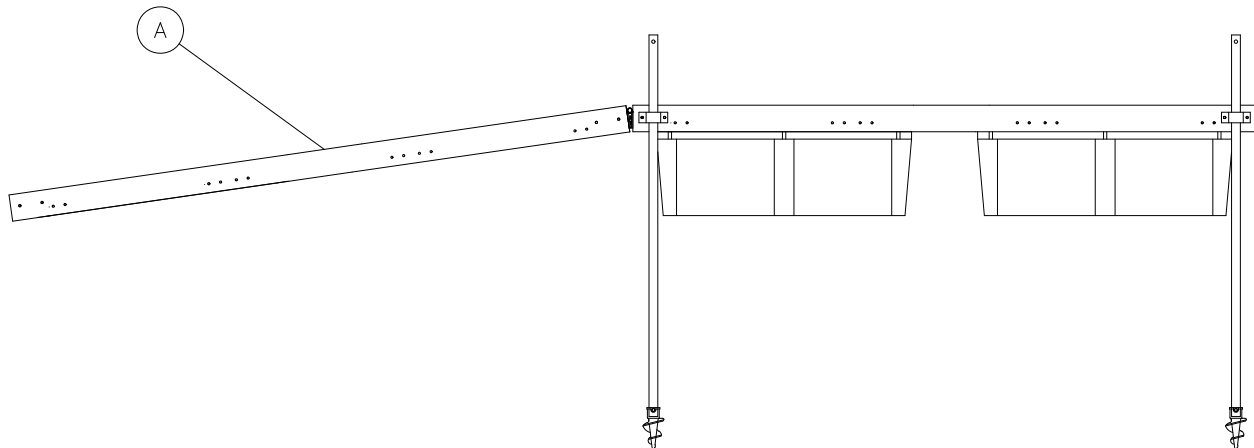


Figure 3-7
Dock Ramp Assembly

4 INSPECTION AND MAINTENANCE

4.1 GENERAL MAINTENANCE RULES

1. Do not allow persons other than authorized service personnel to repair this equipment.
2. Do not weld or otherwise modify the dock. Such alterations may weaken the structural integrity of the dock and invalidate your warranty.

4.2 ANNUAL INSPECTION

At least once a year, the dock must be thoroughly inspected.



WARNING:

DO NOT ALLOW ANYBODY TO USE THE DOCK UNTIL THIS MAINTENANCE IS COMPLETED.

1. Ensure all fasteners are tightened securely.
2. Check frame thoroughly for defects.

4.3 STORAGE PROCEDURE

1. Remove the dock before the water freezes.
2. Store the dock away from the edge of the water to prevent ice damage.
3. If a dock ramp has been used, remove this first. Reverse the procedure described in Section 3.10.
4. To remove the dock anchor system, turn the dock poles counter-clockwise to unscrew augers from lake bottom.
5. It's recommended for ease of removal that the first dock section to enter the water has the decking installed, and the second dock section not have the decking installed, and so on. This will allow easier access to the hinge. (Refer to Figure 3-5) In order to separate the dock sections remove 1/2" hex head cap screw (11) and 1/2" lock nut (9).



CAUTION:

DO NOT REMOVE THE DOCK SECTION IN ROUGH WATER CONDITIONS.



WARNING:

REMOVE HINGE BOLT AND NUT FROM ABOVE HINGE SECTION. NEVER PLACE ANY BODY PARTS BELOW HINGE OR BETWEEN DOCK SECTIONS.

5 PARTS LISTS

Each reference number in the following parts lists can be matched with the reference number in both the text and illustrations of Chapter 3, Installation and Setup.

5.1 FLOATING DOCK RAMP SECTION WITH ALUMINUM DECK

REF #	PART #	QTY	DESCRIPTION
	4003860	20	ALUMINUM DECKING
	4004616	2	DOCK FLOAT Bag Of Bolts (see section 5.12)
	4004324	1	DOCK FLOAT RAMP TREAD PLATE
	4004618	1	DOCK FLOAT RAMP TREAD PLATE Bag Of Bolts (see section 5.13)
A	4004205	1	FLOATING DOCK FRAME
	4004639	1	FLOATING DOCK HINGE & HDWR BAG (see section 5.14)
C	6440416	2	SQUARE FLOAT 4FT.

5.2 FLOATING DOCK RAMP SECTION WITH CEDAR DECK

REF #	PART #	QTY	DESCRIPTION
	4003875	20	CEDAR DECKING
	4004616	2	DOCK FLOAT Bag Of Bolts (see section 5.12)
	4004324	1	DOCK FLOAT RAMP TREAD PLATE
	4004618	1	DOCK FLOAT RAMP TREAD PLATE Bag Of Bolts (see section 5.13)
A	4004205	1	FLOATING DOCK FRAME
	4004639	1	FLOATING DOCK HINGE & HDWR BAG (see section 5.14)
C	6440416	2	SQUARE FLOAT 4FT.

5.3 FLOATING DOCK SECTION WITHOUT DECK

REF #	PART #	QTY	DESCRIPTION
	4004616	2	DOCK FLOAT Bag Of Bolts (see section 5.12)
A	4004205	1	FLOATING DOCK FRAME
	4004639	1	FLOATING DOCK HINGE & HDWR BAG (see section 5.14)
C	6440416	2	SQUARE FLOAT 4FT.

5.4 FLOATING DOCK SECTION WITH ALUMINUM DECK

REF #	PART #	QTY	DESCRIPTION
	4003860	20	ALUMINUM DECKING
	4004616	2	DOCK FLOAT Bag Of Bolts (see section 5.12)
A	4004205	1	FLOATING DOCK FRAME
	4004639	1	FLOATING DOCK HINGE & HDWR BAG (see section 5.14)
C	6440416	2	SQUARE FLOAT 4FT.

5.5 FLOATING DOCK SECTION WITH CEDAR DECK

REF #	PART #	QTY	DESCRIPTION
	4003875	20	CEDAR DECKING
	4004616	2	DOCK FLOAT Bag Of Bolts (see section 5.12)
A	4004205	1	FLOATING DOCK FRAME
	4004639	1	FLOATING DOCK HINGE & HDWR BAG (see section 5.14)
C	6440416	2	SQUARE FLOAT 4FT.

5.6 DOCK FLOAT KIT

REF #	PART #	QTY	DESCRIPTION
C	6440416	1	SQUARE FLOAT 4FT.
	4004616	1	DOCK FLOAT Bag Of Bolts (see section 5.12)

5.7 FLOATING DOCK ANCHOR KIT 6FT

REF #	PART #	QTY	DESCRIPTION
K	4004006	2	FLOATING DOCK 6FT ANCHOR PIPE
	4004612	1	FLOATING DOCK ANCHOR PIPE Carton Of Parts (see section 5.11)

5.8 FLOATING DOCK ANCHOR KIT 8FT

REF #	PART #	QTY	DESCRIPTION
K	4004008	2	FLOATING DOCK 8FT ANCHOR PIPE
	4004612	1	FLOATING DOCK ANCHOR PIPE Carton Of Parts (see section 5.11)

5.9 FLOATING DOCK ANCHOR KIT 10FT

REF #	PART #	QTY	DESCRIPTION
K	4004010	2	FLOATING DOCK 10FT ANCHOR PIPE
	4004612	1	FLOATING DOCK ANCHOR PIPE Carton Of Parts (see section 5.11)

5.10 FLOATING DOCK ANCHOR KIT 12FT

REF #	PART #	QTY	DESCRIPTION
K	4004012	2	FLOATING DOCK 12FT ANCHOR PIPE
	4004612	1	FLOATING DOCK ANCHOR PIPE Carton Of Parts (see section 5.11)

5.11 FLOATING DOCK PIPE ANCHOR CARTON OF PARTS

REF #	PART #	QTY	DESCRIPTION
E	3433720	2	ANCHOR PIPE SLEEVE
H	6440414	2	PIPE AUGER
	4004614	1	FLOATING DOCK PIPE ANCHOR Bag Of Bolts (see section 5.15)

5.12 DOCK FLOAT BAG OF BOLTS

REF #	PART #	QTY	DESCRIPTION
6	5896253	6	3/8 X 2-1/2 HEX HEAD CAPS SCREW
1	5896377	6	3/8 HEX NUT
3	5896406	6	3/8 SAE FLAT WASHER
8	5803509	6	3/8 X 1-1/4 FENDER WASHER
12	5806243	6	3/8 SPLIT LOCK WASHER

5.13 DOCK FLOAT RAMP TREAD PLATE BAG OF BOLTS

REF #	PART #	QTY	DESCRIPTION
5	5896247	4	3/8 X 1 HEX HEAD CAPS SCREW
10	5897016	4	3/8 NYLOCK HEX NUT
3	5896406	4	3/8 SAE FLAT WASHER

5.14 FLOATING DOCK HINGE & HARDWARE BAG OF BOLTS

REF #	PART #	QTY	DESCRIPTION
W X	4003960	4	FLOATING DOCK HINGE HALF
11	5896185	2	3/4 X 6 HEX HEAD CAPS SCREW
9	5897014	2	3/4 NYLOCK HEX NUT
	5896417	2	WASHER FLAT SAE 3/4" SS
5	5896247	8	3/8 X 1 HEX HEAD CAPS SCREW
10	5897016	8	3/8 NYLOCK HEX NUT
3	5896406	16	3/8 SAE FLAT WASHER

5.15 DOCK FLOAT PIPE ANCHOR BAG OF BOLTS

REF #	PART #	QTY	DESCRIPTION
5	5896247	4	3/8 X 1 HEX HEAD CAPS SCREW
10	5897016	4	3/8 NYLOCK HEX NUT
3	5896406	8	3/8 SAE FLAT WASHER

LIMITED PRODUCT WARRANTY

Reimann & Georger Corporation Marine Products

RGC Marine products, hereafter referred to as the "Manufacturer", extends this limited warranty to the original purchaser of this product. The original purchaser, hereinafter referred to as the "Buyer", is defined as the first legal owner of this product other than an authorized distributor or dealer who has bought the product from the Manufacturer for resale to the public. **The Buyer must complete and return the Warranty Registration section of the provided Warranty Card to make this limited warranty effective.**

CONSUMER PRODUCT PROVISIONS

I. ARTICLE I—CONSUMER PRODUCT PROVISIONS: THE FOLLOWING PROVISIONS SHALL BE APPLICABLE IF THIS PRODUCT IS BEING PURCHASED FOR PERSONAL, FAMILY OR HOUSEHOLD PURPOSES.

THE CONSUMER PRODUCT PROVISIONS CONTAINED IN THIS ARTICLE I SHALL APPLY UNLESS THIS PRODUCT IS BEING PURCHASED SOLELY FOR COMMERCIAL OR INDUSTRIAL USE, IN WHICH EVENT THE PROVISIONS CONTAINED IN ARTICLE II BELOW SHALL APPLY AND THE PROVISIONS CONTAINED IN THIS ARTICLE I SHALL BE INAPPLICABLE.

A. 1-YEAR LIMITED WARRANTY

The Manufacturer warrants to the Buyer that the decking shall be free of defects in material and workmanship for a period of one (1) year from date of original purchase. This limited warranty covers the cost of all parts and labor needed to repair any item that is found to be defective in material and workmanship. This warranty does not cover wear and tear, discoloration (fading), scratches, or dents associated with powder coated decking; nor does this warranty cover splitting, checking, warping, or discoloration associated with wood decking.

B. 15-YEAR LIMITED WARRANTY ON DOCK ALUMINUM FRAME EXTRUSION

The Manufacturer warrants to the Buyer that the frame and extrusions shall be free of defects in material and workmanship for a period of fifteen (15) years from date of original purchase. This limited warranty covers the cost of all parts and labor needed to repair any item that is found to be defective in material and workmanship.

C. MANUFACTURER'S OBLIGATIONS

The Manufacturer's sole obligation under either of these limited warranties is the replacement or repair, at the Manufacturer's discretion, of parts found to be defective.

D. NO SPECIAL, INCIDENTAL OR CONSEQUENTIAL DAMAGES

IN NO EVENT SHALL THE MANUFACTURER BE LIABLE TO THE BUYER OR ANY PERSON FOR ANY INDIRECT, SPECIAL, INCIDENTAL, OR CONSEQUENTIAL LOSSES OR DAMAGES CONNECTED WITH THE USE OF THE PRODUCT UNDER WARRANTY. SUCH DAMAGES FOR WHICH THE MANUFACTURER SHALL NOT BE RESPONSIBLE INCLUDE, BUT ARE NOT LIMITED TO, LOST TIME AND CONVENIENCE, LOSS OF USE OF THE PRODUCT, THE COST OF A PRODUCT RENTAL, COSTS OF GASOLINE, TELEPHONE, TRAVEL, OR LODGING, THE LOSS OF PERSONAL OR COMMERCIAL PROPERTY, AND THE LOSS OF REVENUE.

Some States do not allow the exclusion or limitation of incidental or consequential damages, so the above limitation or exclusion may not apply to you.

E. NO LIABILITY IN EXCESS OF PURCHASE PRICE

IN NO EVENT SHALL THE MANUFACTURER'S OBLIGATIONS UNDER THIS LIMITED WARRANTY EXCEED THE PURCHASE PRICE OF THE PRODUCT.

F. NO EXTENSION OF STATUTE OF LIMITATIONS

ANY REPAIRS PERFORMED UNDER EITHER OF THESE WARRANTIES SHALL NOT IN ANY WAY EXTEND THE ONE-YEAR AND FIFTEEN-YEAR STATUTES OF LIMITATIONS CONTAINED IN THIS LIMITED WARRANTY.

G. PROCEDURE FOR WARRANTY PERFORMANCE

If the product fails to perform to the Manufacturer's specifications, the Buyer must contact the dealer from whom the product was purchased. The Buyer must provide the dealer with the applicable model and serial numbers, the date of purchase, and the nature of the problem.

H. PREAPPROVAL OF LABOR COSTS

All labor costs related to a dealer's performance of the warranty obligations under this limited warranty must be pre-approved by Reimann & Georger Corp. Marine Products.

I. NO OTHER EXPRESS WARRANTIES

THE MANUFACTURER IS NOT SUBJECT TO ANY EXPRESS WARRANTIES OTHER THAN THOSE SET FORTH ABOVE.

J. LIMIT ON DURATION OF IMPLIED WARRANTIES

THE DURATION OF ANY IMPLIED WARRANTIES UNDER APPLICABLE STATE LAW RELATING TO THE PURCHASE OF THIS PRODUCT SHALL BE LIMITED TO A PERIOD OF ONE (1) YEAR FROM THE DATE OF PURCHASE.

Some States do not allow limitations on how long an implied warranty lasts, so the above limitations may not apply to you.

K. QUESTIONS REGARDING LIMITED WARRANTY

Any questions regarding this limited warranty or the procedure which the consumer should follow in order to obtain performance of any warranty obligation may be addressed to either the dealer from whom this product is purchased or to Reimann & Georger Corp. Marine Products, P.O. Box 681, Buffalo, NY 14240.

L. EXCLUSIONS FROM LIMITED WARRANTY. THIS LIMITED WARRANTY DOES NOT COVER ANY OF THE FOLLOWING:

1. Equipment which has been abused, damaged, used beyond rated capacity, or which is damaged or has defects caused by repairs or service completed by persons other than authorized service personnel.
2. Costs of repairing damage caused by environmental factors which include, but are not limited to, airborne fallout, chemicals, tree sap, salt, ocean spray, and water hazards.
3. Damage caused by acts of God which include, but are not limited to, hailstorms, windstorms, tornadoes, sandstorms, lightning, floods, and earthquakes.
4. Damage under conditions caused by fire or accident, by abuse or negligence, by improper installation, by misuse, by incorrect operation, by "normal wear and tear", by improper adjustment or alteration, by alterations not done by the Manufacturer, or by failure of product parts from such alterations.

5. Costs of repairing damage caused by poor or improper maintenance, costs of normally scheduled maintenance, or the cost of replacing any parts unless done as the result of a repair covered by your one-year limited warranty.
6. Costs of modifying the product in any way once delivered to the Buyer, even if such modifications were added as a production change on other products made after the Buyer's product was built.

M. RIGHT TO MODIFY PRODUCT

The Manufacturer has the right to modify this product at any time without incurring any obligation to make the same or similar modifications on products previously purchased.

N. NO AUTHORITY TO ALTER WARRANTY

No agent, representative, distributor or dealer has any authority to alter the terms of this warranty in any way.

O. SPECIFIC LEGAL RIGHTS

This warranty gives you specific legal rights and you may also have other rights which vary from State to State.

COMMERCIAL PRODUCT PROVISIONS

II. ARTICLE II—COMMERCIAL PRODUCT PROVISIONS: THE FOLLOWING PROVISIONS SHALL BE APPLICABLE ONLY IF THIS PRODUCT IS BEING PURCHASED SOLELY FOR COMMERCIAL OR INDUSTRIAL USE. IF THIS PRODUCT IS BEING PURCHASED FOR PERSONAL, FAMILY OR HOUSEHOLD PURPOSES, THE PROVISIONS CONTAINED IN THIS ARTICLE II SHALL NOT BE APPLICABLE AND THE PROVISIONS CONTAINED IN ARTICLE I ABOVE SHALL APPLY.

A. 1-YEAR LIMITED WARRANTY

The Manufacturer warrants to the Buyer that the decking shall be free of defects in material and workmanship for a period of one (1) year from date of original purchase. This limited warranty covers the cost of all parts and labor needed to repair any item that is found to be defective in material and workmanship. This warranty does not cover wear and tear, discoloration (fading), scratches, or dents associated with powder coated decking; nor does this warranty cover splitting, checking, warping, or discoloration associated with wood decking.

B. 5-YEAR LIMITED WARRANTY ON DOCK ALUMINUM FRAME EXTRUSION

The Manufacturer warrants to the Buyer that the frame and extrusions shall be free of defects in material and workmanship for a period of five (5) years from date of original purchase. This limited warranty covers the cost of all parts and labor needed to repair any item that is found to be defective in material and workmanship.

C. MANUFACTURER'S OBLIGATIONS

The Manufacturer's sole obligation under either of these limited warranties is the replacement or repair, at the Manufacturer's discretion, of parts found to be defective.

D. NO SPECIAL, INCIDENTAL, OR CONSEQUENTIAL DAMAGES

IN NO EVENT SHALL THE MANUFACTURER BE LIABLE TO THE BUYER OR ANY PERSON FOR ANY INDIRECT, SPECIAL, INCIDENTAL, OR CONSEQUENTIAL LOSSES OR DAMAGES CONNECTED WITH THE USE OF THE PRODUCT UNDER WARRANTY. SUCH DAMAGES FOR WHICH THE MANUFACTURER SHALL NOT BE RESPONSIBLE INCLUDE, BUT ARE NOT LIMITED TO, LOST TIME AND CONVENIENCE, LOSS OF USE OF THE PRODUCT, THE COST OF A PRODUCT RENTAL, COSTS OF GASOLINE, TELEPHONE, TRAVEL, OR LODGING, THE LOSS OF PERSONAL OR COMMERCIAL PROPERTY, AND THE LOSS OF REVENUE.

E. NO LIABILITY IN EXCESS OF PURCHASE PRICE

IN NO EVENT SHALL THE MANUFACTURER'S OBLIGATIONS UNDER THIS LIMITED WARRANTY EXCEED THE PURCHASE PRICE OF THE PRODUCT.

F. NO EXTENSION OF STATUTE OF LIMITATIONS

ANY REPAIRS PERFORMED UNDER EITHER OF THESE WARRANTIES SHALL NOT IN ANY WAY EXTEND THE RESPECTIVE STATUTES OF LIMITATIONS CONTAINED IN THIS LIMITED WARRANTY.

G. WAIVER OF OTHER WARRANTIES

THESE EXPRESS WARRANTIES ARE IN LIEU OF AND EXCLUDE ANY AND ALL OTHER WARRANTIES, EXPRESS OR IMPLIED, INCLUDING, BUT NOT LIMITED TO, THE IMPLIED WARRANTIES OR MERCHANTABILITY AND FITNESS FOR A PARTICULAR PURPOSE.

H. PROCEDURE FOR WARRANTY PERFORMANCE

If the product fails to perform to the Manufacturer's specifications, the Buyer must contact the dealer from whom the product was purchased. The Buyer must provide the dealer with the applicable model and serial numbers, the date of purchase, and the nature of the problem.

I. PREAPPROVAL OF LABOR COSTS

All labor costs related to a dealer's performance of the warranty obligations under this limited warranty must be pre-approved by Reimann & Georger Corp. Marine Products.

J. EXCLUSIONS FROM WARRANTY. THIS LIMITED WARRANTY DOES NOT COVER ANY OF THE FOLLOWING:

1. Equipment which has been abused, damaged, used beyond rated capacity, or which is damaged or has defects caused by repairs or service completed by persons other than authorized service personnel.
2. Costs of repairing damage caused by environmental factors which include, but are not limited to, airborne fallout, chemicals, tree sap, salt, ocean spray, and water hazards.
3. Damage caused by acts of God which include, but are not limited to, hailstorms, windstorms, tornadoes, sandstorms, lightning, floods, and earthquakes.
4. Damage under conditions caused by fire or accident, by abuse or negligence, by improper installation, by misuse, by incorrect operation, by "normal wear and tear", by improper adjustment or alteration, by alterations not done by the Manufacturer, or by failure of product parts from such alterations.
5. Costs of repairing damage caused by poor or improper maintenance, costs of normally scheduled maintenance, or the cost of replacing any parts unless done as the result of a repair covered by your one-year limited warranty.
6. Costs of modifying the product in any way once delivered to the Buyer, even if such modifications were added as a production change on other products made after the Buyer's product was built.

K. RIGHT TO MODIFY PRODUCT

The Manufacturer has the right to modify this product at any time without incurring any obligation to make the same or similar modifications on products previously purchased.

L. NO AUTHORITY TO ALTER WARRANTY

No agent, representative, distributor, or dealer has any authority to alter the terms of this warranty in any way.

M. SPECIFIC LEGAL RIGHTS

This warranty gives you specific legal rights, and you may also have other rights which vary from State to State.