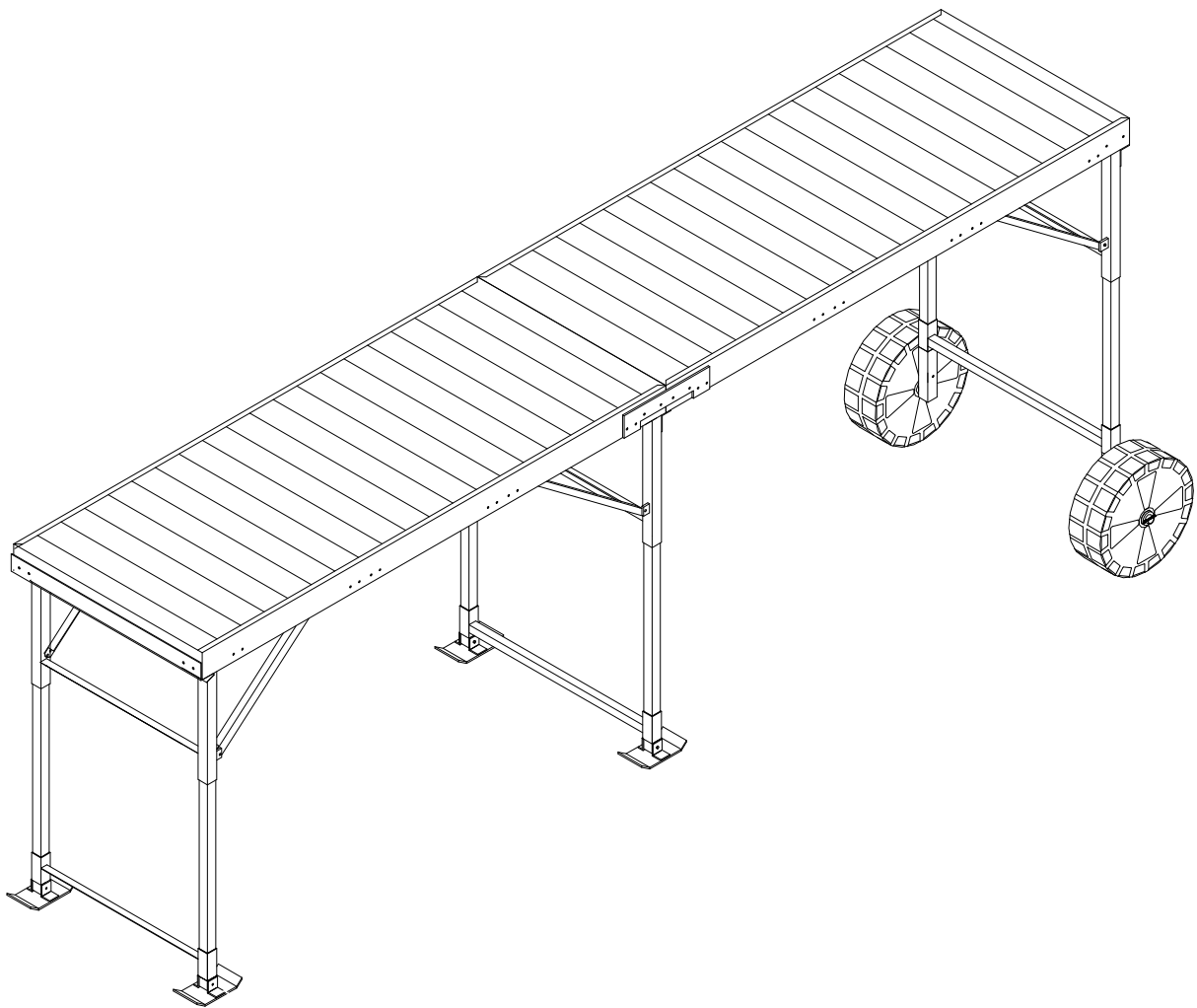




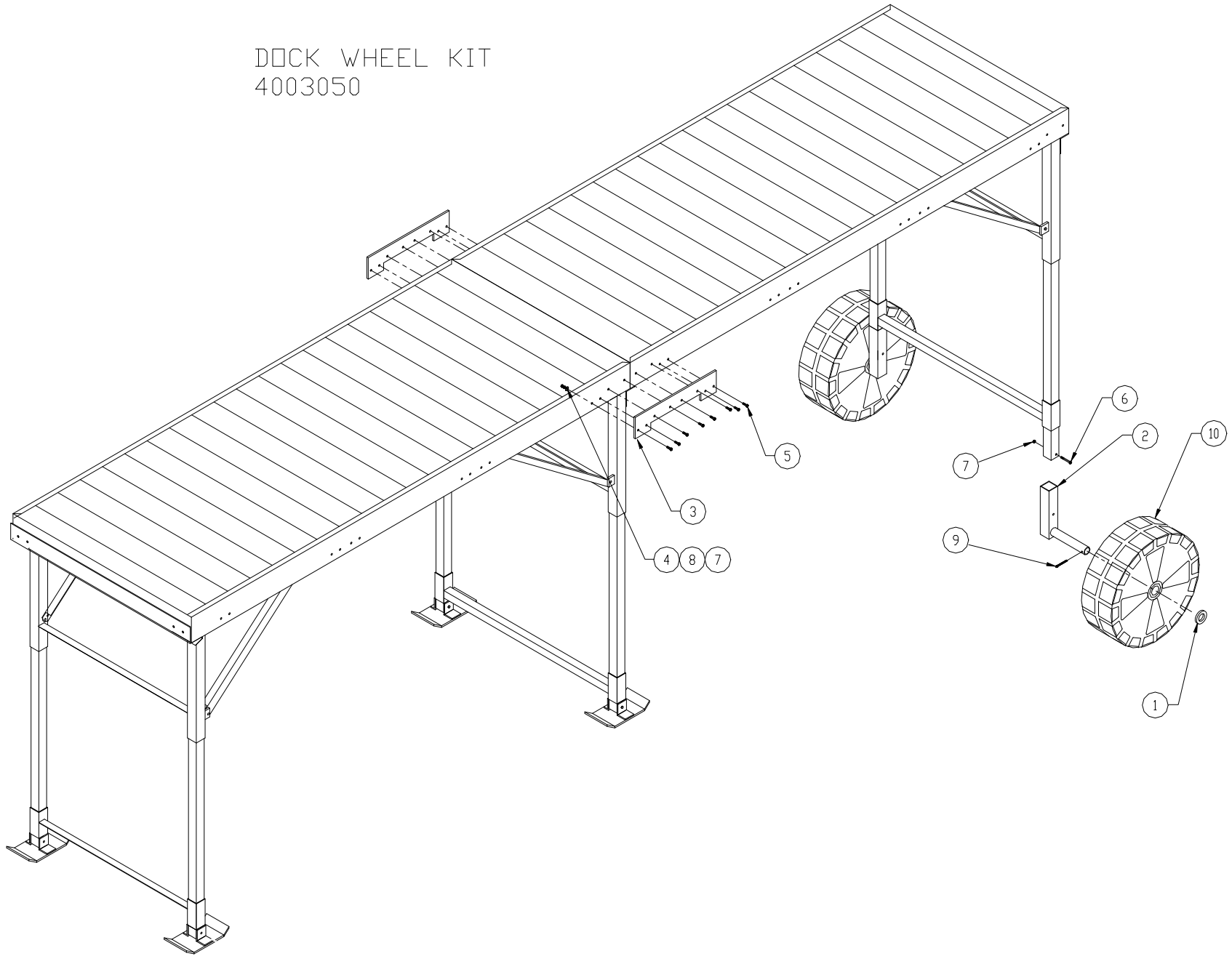
# DOCK WHEEL KIT INSTRUCTIONS



**REIMANN & GEORGER CORPORATION**  
**MARINE PRODUCTS**  
P/N 6112153

**BUFFALO, NY**  
06/06/08

DOCK WHEEL KIT  
4003050



## PARTS LISTS

Each reference number in the following parts lists can be matched with the reference number in the illustrations..

### #4003050 DOCK WHEEL KIT

| REF # | PART #  | QTY | DESCRIPTION              |
|-------|---------|-----|--------------------------|
| 1     | 4003835 | 2   | DOCK WHEEL THRUST WASHER |
| 2     | 4003840 | 2   | DOCK WHEEL AXLE WELDMENT |
| 3     | 4003945 | 2   | DOCK SIDE SUPPORT PLATE  |
| 4     | 5806243 | 18  | 3/8" SPLIT LOCK WASHER   |
| 5     | 5896248 | 18  | 3/8-16 X 1-1/4 HHCS      |
| 6     | 5896255 | 2   | 3/8-16 X 3 HHCS          |
| 7     | 5896377 | 18  | 3/8-16 HEX NUT           |
| 8     | 5896406 | 18  | 3/8" SAE WASHER          |
| 9     | 5806427 | 2   | 5/16" X 3" COTTER PIN    |
| 10    | 7603845 | 2   | DOCK WHEEL 8 X 24        |