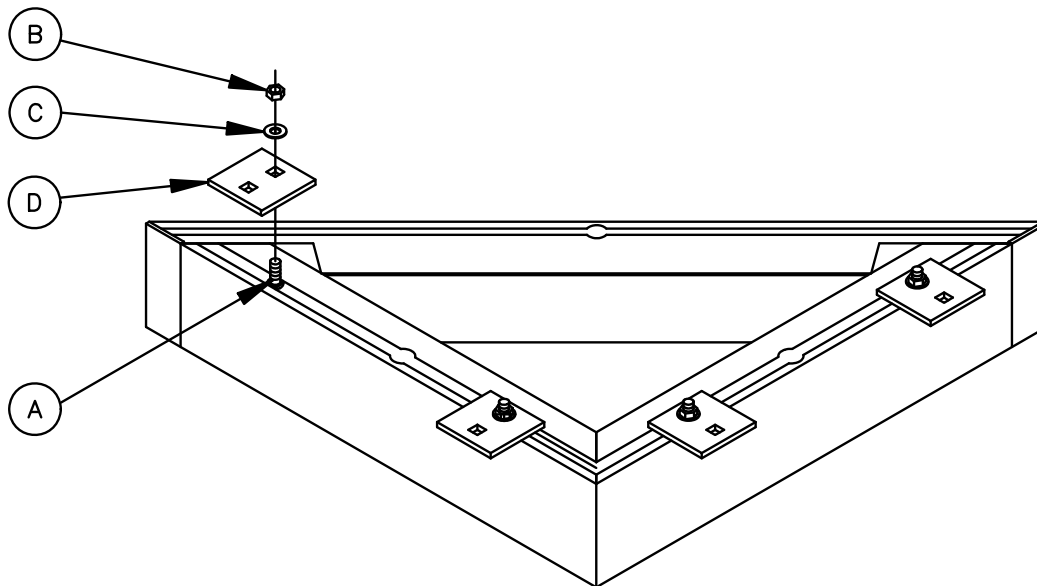




STATIONARY DOCK CORNER INSTALLATION INSTRUCTIONS.

1. Insert two carriage bolts (A) into the round cut out portion of slot in bottom of 25 inch side of frame. Slide one of these bolts towards the square corner, and the other towards the angled corner.
2. Place one mounting plate (D) over each carriage bolt so they project past the outer edge of the side frame member. Place one flat washer (C), and one hex nut (B) on both of the carriage bolts.
3. Position each of the mounting plates approximately six inches from each end of the side frame and tighten securely.
4. Repeat steps 1 through 3 for other side of corner frame.
5. The four projecting mounting plates are then used to fasten the dock corner to two standard dock sections in the same manor using the remaining hardware.



PARTS LIST

REF #	PART #	QTY	DESCRIPTION
A	5892505	8	1/2 x 1 Carriage Bolt
B	5896379	8	1/2 Hex Nut
C	5896400	8	1/2 Sae Flat Washer
D	4002062	4	Dock Corner Mounting Plate