

7' I-BEAM CRADLES
8' I-BEAM CRADLES
9' I-BEAM CRADLES

REIMANN & GEORGER CORPORATION
MARINE PRODUCTS

BUFFALO, NY
04/06/09

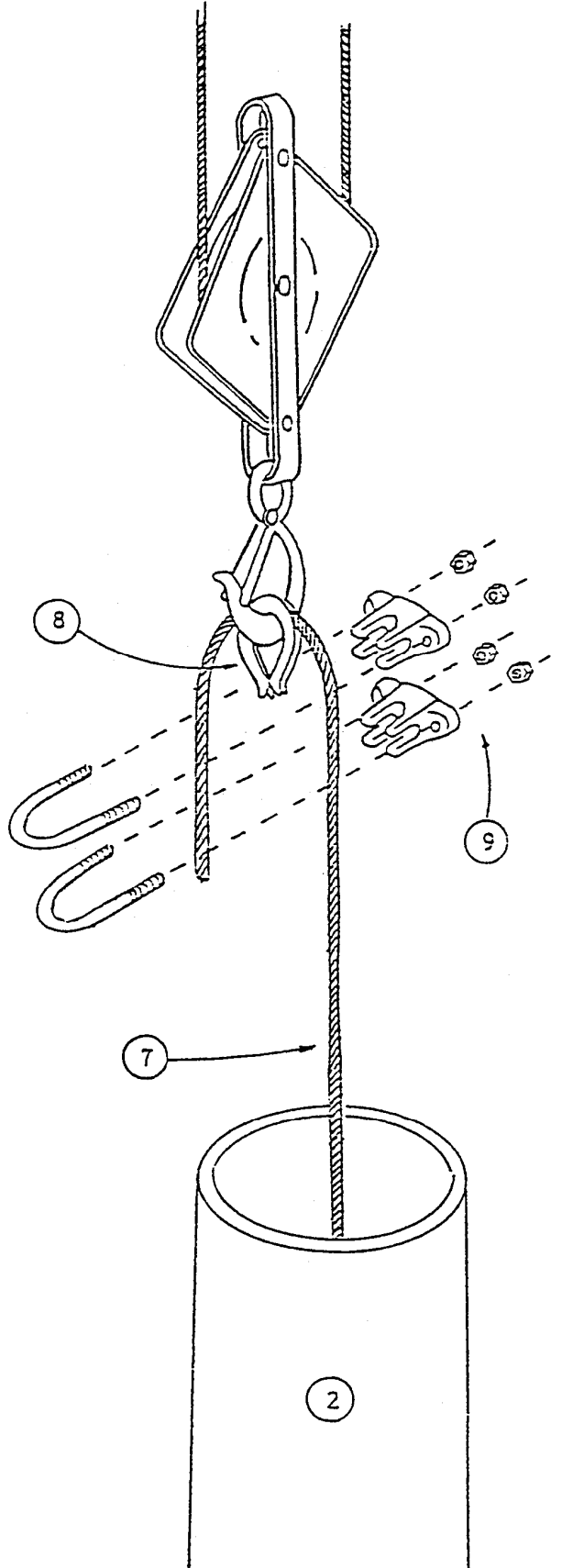
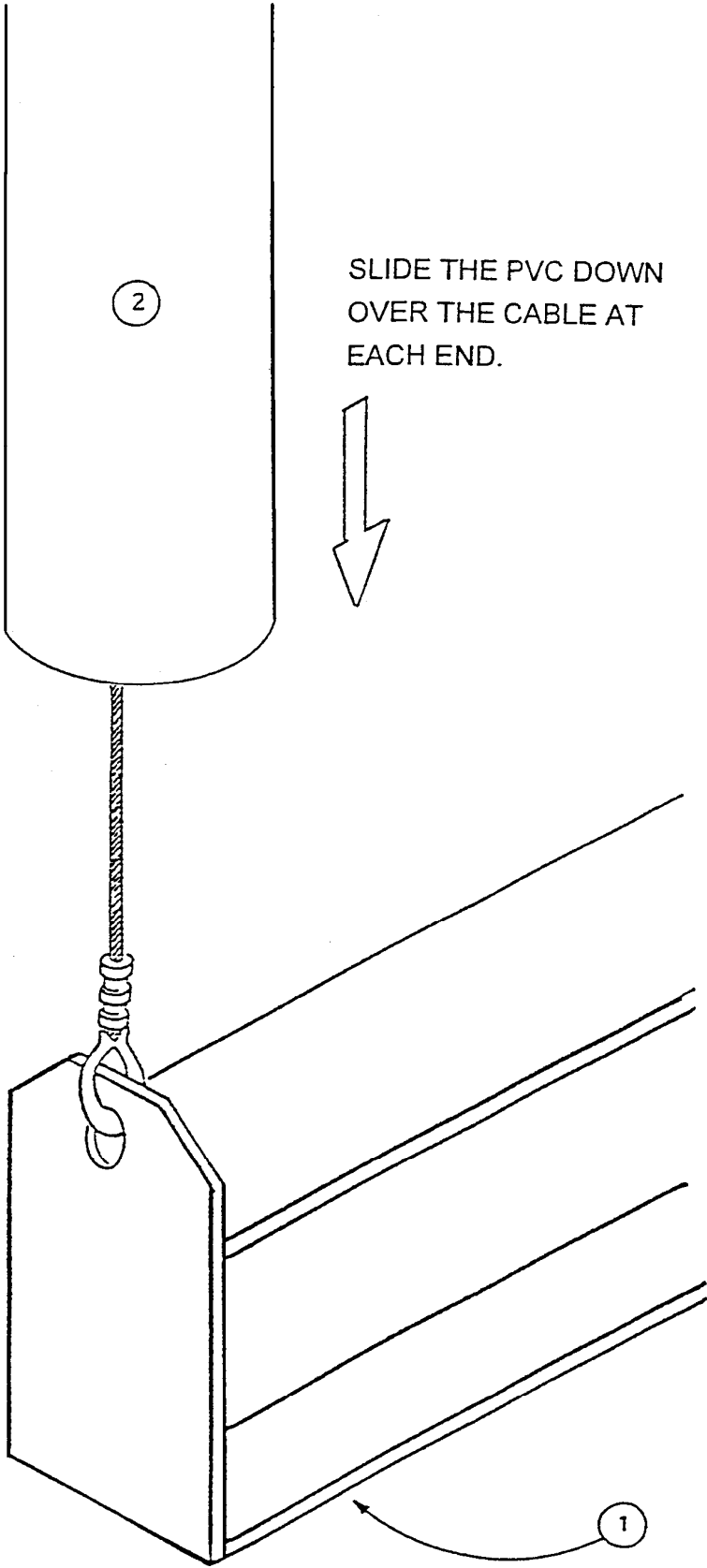
I-BEAM CRADLES

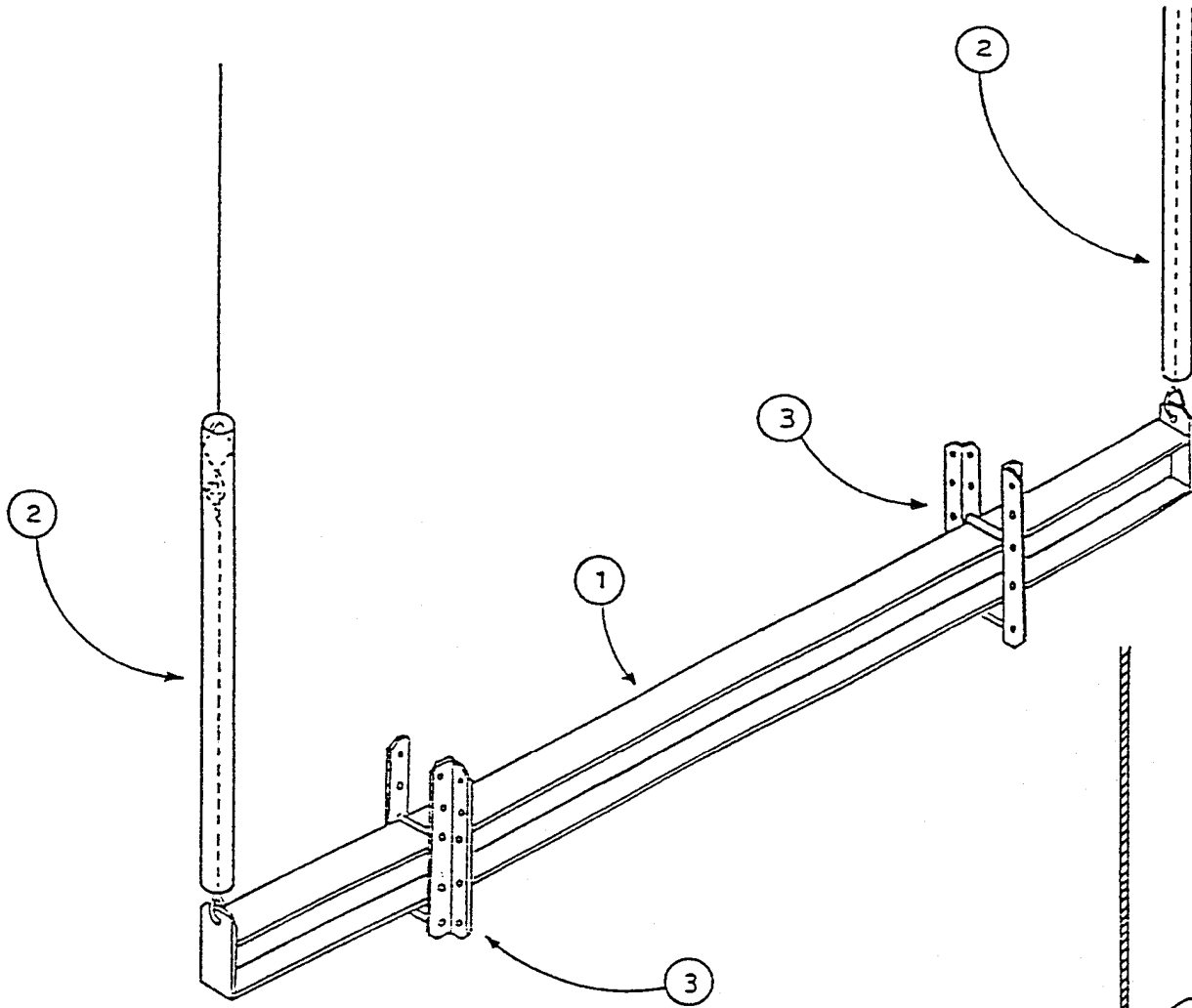
THANK YOU for your purchase of the I BEAM CRADLE ACCESSORY which is available for both the R & G BOAT HOUSE AND OB/IB OVERHEAD LIFTS.

If you have any problems or questions please contact your local dealer, he/she shall be more than happy to assist you. We welcome your comments and the opportunity to meet your particular boat lift needs.

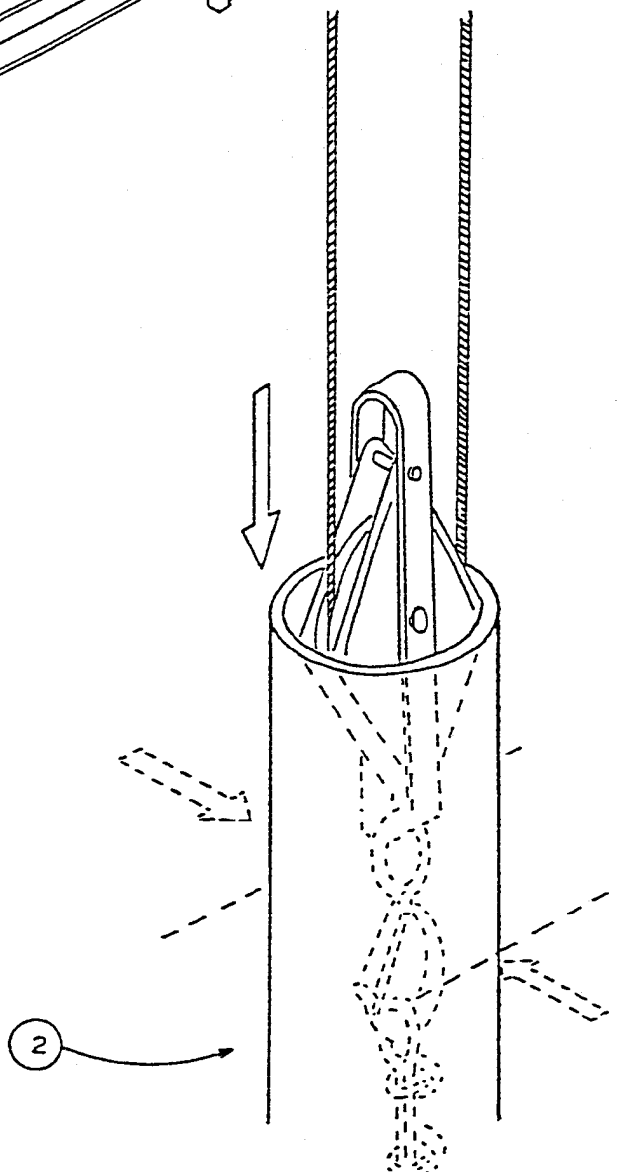
Your pair of I BEAM CRADLES are shipped to you as one bundle. Please examine your shipment upon receipt and check the contents against the following parts list. If the bundle is received broken or open, and parts are either damaged or missing, make the appropriate note on the delivery receipt and freight bill. Call the delivery carrier about filing the proper claims

REF#	PART#	QTY	PART DESCRIPTION
1	5003018	2	I-Beam 7' Long
	5003019	2	I-Beam 8' Long
	5003020	2	I-Beam 9' Long
2	7206497	4	4" PVC x 4' Long
3	3203024	8	Cradle Chock Brackets
4	5806294	8	1/2" x 5' Hex Head Bolts
5	5806379	24	1/2" Nuts
6	5806326	16	1/2" x 3" Carriage Bolts
7	5003017	4	1/4" Cable 6' Long w/ Neco
8	7305009	4	1/4" Thimbles
9	7303016	8	Cable Clamps



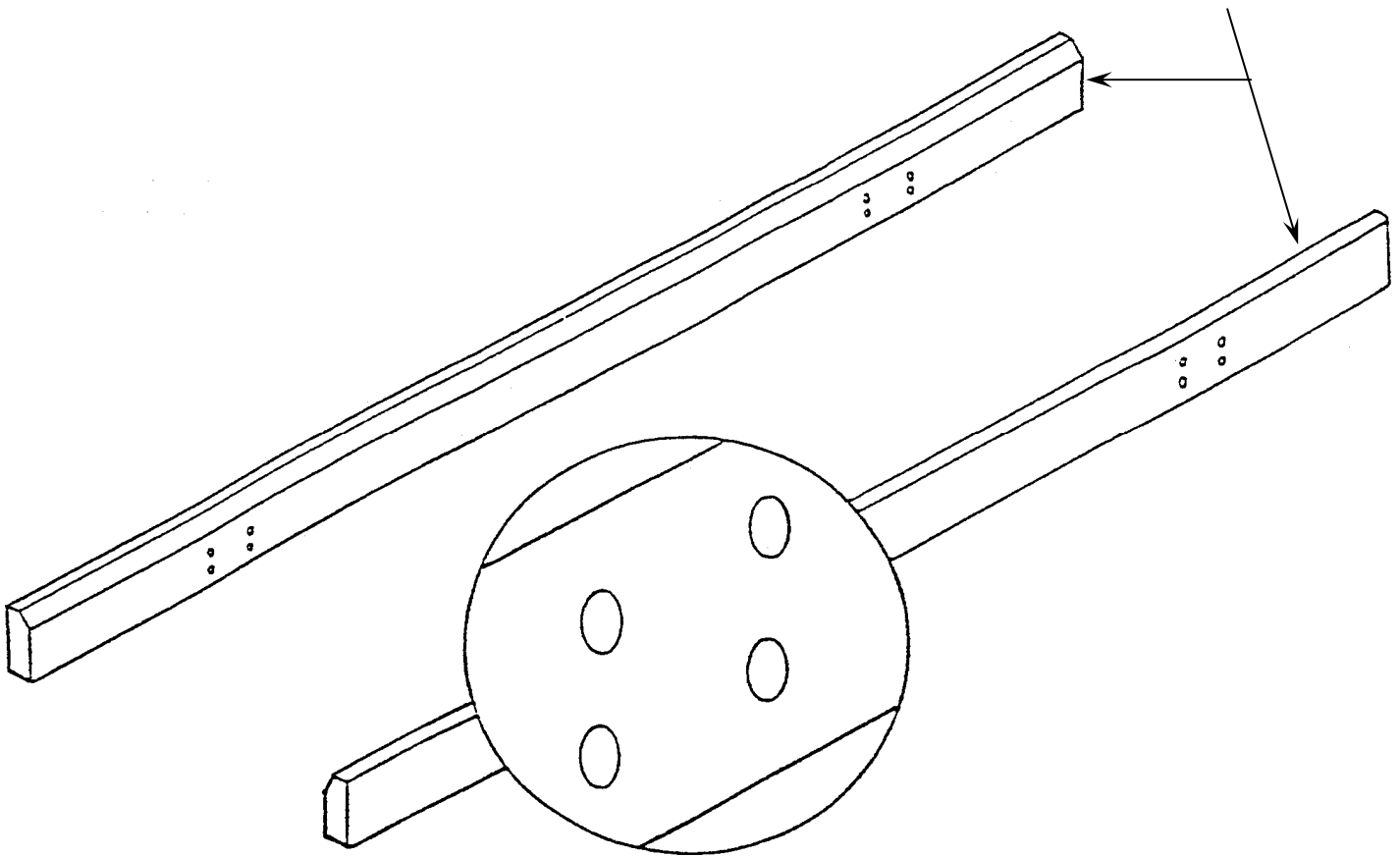


DEPRESS THE PVC SIDES TO
TEMPORARILY DEFORM AND
INSERT THE PULLEY.



BOAT LENGTH	TIMBER DESCRIPTION	TIMBER LENGTH
20' +	3" x 6" FIR	14' - 16'
20' -	2" x 6" FIR	14'

WE SUGGEST THAT YOU CHAMFER THE INSIDE TOP EDGE OF THE TIMBERS SO THAT THERE WILL BE NO SHARP CORNERS IN CONTACT WITH YOUR BOAT.



DRILL SIXTEEN 17/32" HOLES FOR THE #6 CARRIAGE BOLTS TO ATTACH THE TIMBERS TO THE #3 CRADLE CHOCK BRACKETS.

